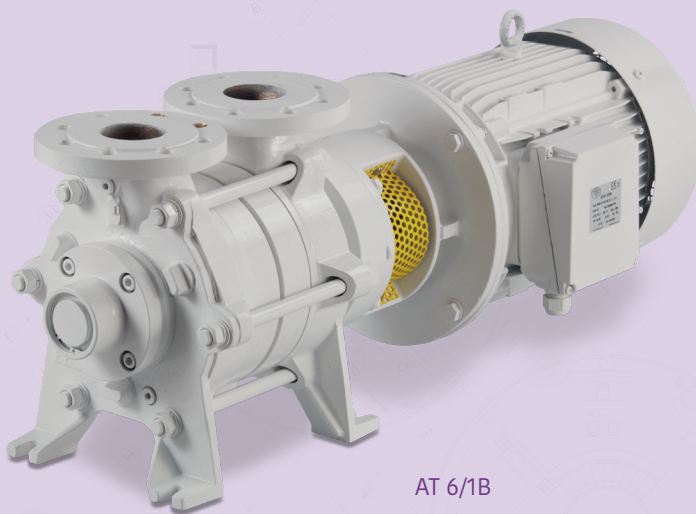


SELF PRIMING ELECTRIC PUMPS IN BRONZE

Series
AT



AT 4/1B



AT 6/1B

CHARACTERISTICS

- **Pump casing:** bronze
- **Impeller:** bronze
- **Diffuser:** bronze
- **Shaft:** AISI 316 stainless steel
- **Seal:** mechanical
- **Motor:** 24 V D.C. 230 V A.C. 1 PH, 230/400 V A.C.3PH
- Capability of handling entrained liquids under continuous operating conditions
- Suction up to 7 m.
- Foot valve not required
- Elimination of load on bearings because the impellers are hydraulically self balanced
- Quiet operation and minimal vibration
- Combination of different types of materials
- Functionality and versatility based on a well balanced and compact design

APPLICATIONS

- extracting sea water, bilge
- fire-fighting
- chain washing
- transferring fuels

DC EXECUTION

		l/min	20	40	60	80	100	120	140	160	180	200	230	260	300	330	350	400	450	500	550	600
	Kw	mc/h	1,2	2,4	3,6	4,8	6	7,2	8,4	9,6	10,8	12	13,8	15,6	18	19,8	21	24	27	30	33	36
AT 3/1	1	H(m)	34	28	23	18	14	10														
AT 3/2	2.2		65	53	42	32	22	14														
AT 3/11	1.5			35	28	21	15	9	4													
AT 3/13	2.2			60	49	38	27	17	8													
AT 4/1	2.2					35	30	25	20	16	12	9	5									

Sito Web



Catalogo Generale



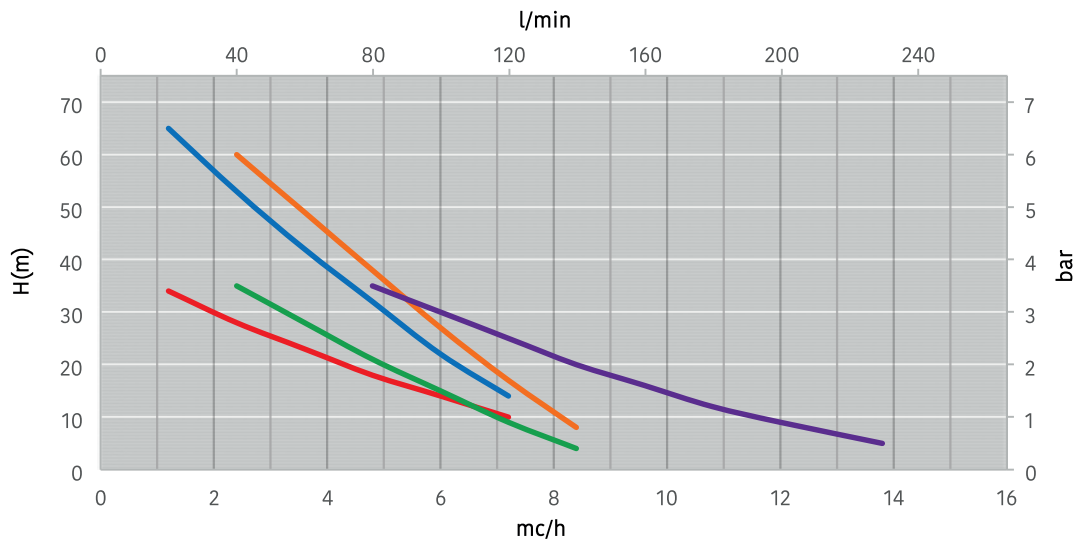
Feit Pompe S.r.l.

Via Venezia, 34/g - 10088 - Volpiano (TO) - ITALIA
Tel: +39 (0)11 9884327 - info@feit.srl - feit.srl

FEIT
1946
Evolving with you...

SELF PRIMING ELECTRIC PUMPS IN BRONZE

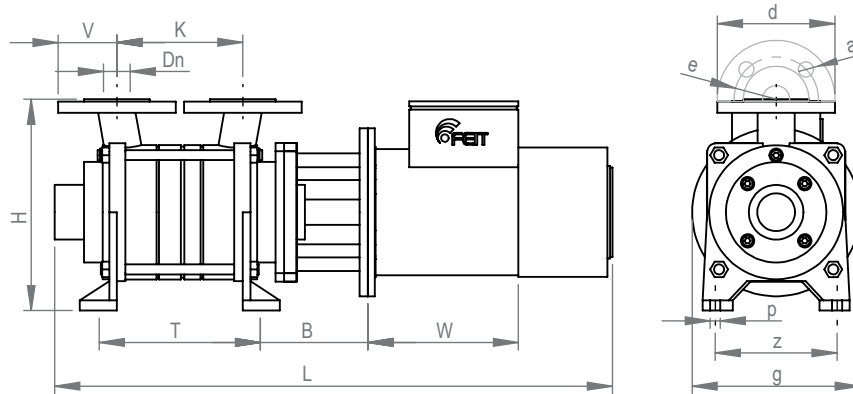
Series
AT



	VOLT	RPM
AT 3/1	24V	1450
AT 3/13	24V	1450

	VOLT	RPM
AT 3/2	24V	1450
AT 4/1	24V	1450

	VOLT	RPM
AT 3/11	24V	1450



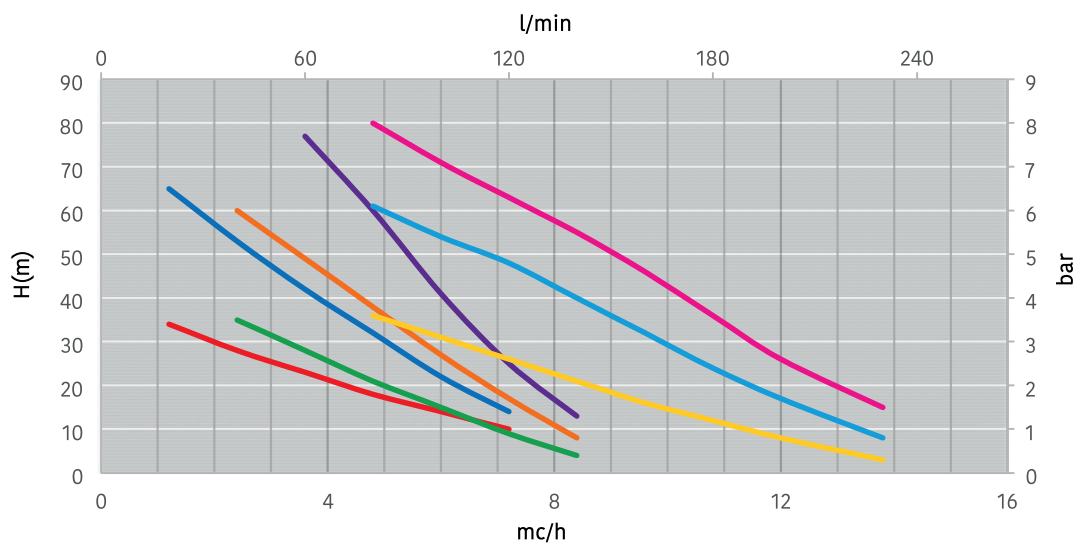
	Dn	H	V	K	L	T	B	W	d	e	a	p	z	g	Kg
AT 3/1	32	255	70	150	690	200	140	150	140	100	18	14	130	200	50
AT 3/2	32	255	70	180	780	250	140	150	140	100	18	14	130	200	60
AT 3/11	32	255	70	150	690	200	140	150	140	100	18	14	130	200	50
AT 3/13	32	255	70	180	780	250	140	150	140	100	18	14	130	200	60
AT 4/1	40	260	75	160	910	230	160	173	150	110	18	16	150	250	72

SELF PRIMING ELECTRIC PUMPS IN BRONZE

Series
AT

AC EXECUTION 50Hz

		l/min	20	40	60	80	100	120	140	160	180	200	230	260	300	330	350	400	450	500	550	600	
	Kw	mc/h	1,2	2,4	3,6	4,8	6	7,2	8,4	9,6	10,8	12	13,8	15,6	18	19,8	21	24	27	30	33	36	
AT 3/1	1		34	28	23	18	14	10															
AT 3/2	2.2		65	53	42	32	22	14															
AT 3/11	1.5			35	28	21	15	9	4														
AT 3/12	1.5			60	49	38	27	17	8														
AT 3/13	3				77	60	41	25	13														
AT 4/1	2.2					36	31	26	21	16	12	8	3										
AT 4/2	4					61	54	48	40	32	24	17	8										
AT 4/3	5.5					80	71	63	55	46	36	26	15										
AT 5/1	4										36	33	29	25	19	14	11	2					
AT 5/2	11										73	68	60	51	39	30	24	10					
AT 5/3	15										115	103	88	72	56	44	38	23	10				
AT 6/1	7.5															37	34	32	27	21	16	12	8
AT 6/2	11															76	69	64	52	41	31	22	15
AT 6/3	18.5															115	105	98	81	63	47	31	18



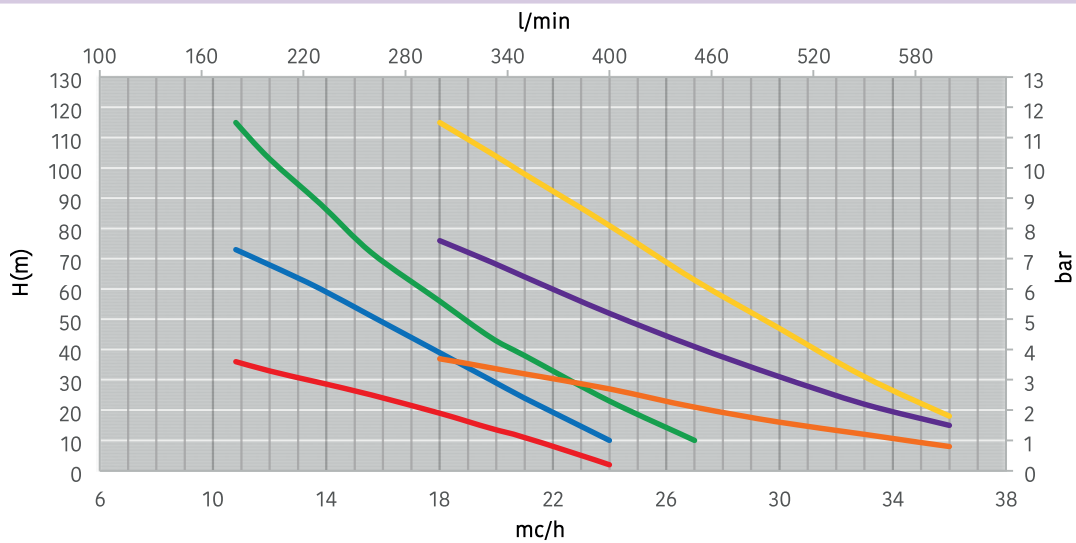
	VOLT	RPM
AT 3/1	230/400 230m	1450
AT 3/12	230/400 230m	1450
AT 4/2	230/400 230m	1450

	VOLT	RPM
AT 3/2	230/400 230m	1450
AT 3/13	230/400 230m	1450
AT 4/3	230/400 230m	1450

	VOLT	RPM
AT 3/11	230/400 230m	1450
AT 4/1	230/400 230m	1450

SELF PRIMING ELECTRIC PUMPS IN BRONZE

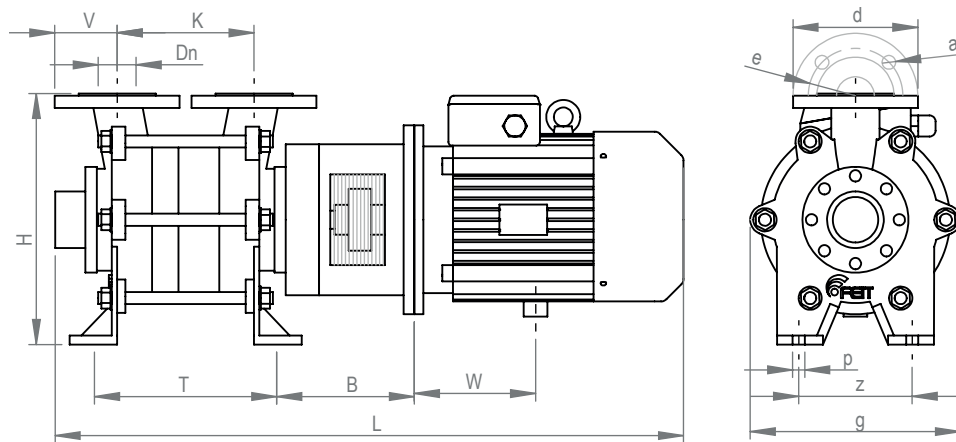
Series
AT



	VOLT	RPM
AT 5/1	230/400 230m	1450
AT 6/1	230/400 230m	1450

	VOLT	RPM
AT 5/2	230/400 230m	1450
AT 6/2	230/400 230m	1450

	VOLT	RPM
AT 5/3	230/400 230m	1450
AT 6/3	230/400 230m	1450



	Dn	H	V	K	L	T	B	W	d	e	a	p	z	g	Kg
AT 3/1	32	255	70	150	690	200	140	150	140	100	18	14	130	200	50
AT 3/2	32	255	70	180	780	250	140	150	140	100	18	14	130	200	60
AT 3/11	32	255	70	150	690	200	140	150	140	100	18	14	130	200	50
AT 3/12	32	255	70	180	780	250	140	150	140	100	18	14	130	200	60
AT 3/13	32	255	70	210	830	280	140	150	140	100	18	14	130	250	68
AT 4/1	40	260	75	160	910	230	160	173	150	110	18	16	150	250	72
AT 4/2	40	260	75	207	980	265	160	173	150	110	18	16	150	300	82
AT 4/3	40	260	75	262	1000	330	160	173	150	110	18	16	150	300	100
AT 5/1	50	320	83	180	900	260	160	173	165	125	18	16	150	300	85
AT 5/2	50	320	83	250	1100	340	160	173	165	125	18	16	150	350	120
AT 5/3	50	320	83	330	1200	415	160	183	165	125	18	16	150	350	150
AT 6/1	65	360	93	190	1000	270	180	200	185	145	18	16	198	350	120
AT 6/2	65	360	93	280	1100	360	180	200	185	145	18	16	198	400	140
AT 6/3	65	360	93	370	1300	450	180	200	185	145	18	16	198	400	170