

SELF PRIMING ELECTRIC PUMPS IN BRONZE

Series
TSL 20/1 - 25/1



TSL 20/1

CHARACTERISTICS

- **Pump casing:** bronze
- **Impeller:** bronze
- **Wear-ring impeller-diffuser:** bronze
- **Diffuser:** bronze
- **Shaft:** AISI 316 stainless steel
- **Seal:** mechanical - carbon - ceramic - NBR
- **Motor:** 24 V D.C. 230V 1ph - 230/400V 3ph other version on request
- ATEX execution on request
- Capability of handling entrained liquids under continuous operating
- Suction up to 7 m.
- Foot valve not required
- Quiet operation and minimal vibration

APPLICATIONS

- extracting sea water, bilge
- water supply
- diesel transfer
- transferring soft water and sea water
- chain washing
- conditioning system
- fire-fighting

DC EXECUTION

		l/min	5	10	20	25	40	45	60	75	100	125	130	150	175	200	225	240	265	300	350	400	450	
	Kw	mc/h	0,3	0,6	1,2	1,5	2,4	2,7	3,6	4,5	6	7,5	7,8	9	10,5	12	13,5	14,4	15,9	18	21	24	27	
TSL 20/1	0,75	H(m)		36,2	33,4	32	28	26,5	22,5	17,5	9	1												
TSL 23/1	1,1				38	37	34	33	29	25,5	19	13	11,5	5										
TSL 23/2	2,2					50	48,5	42	36	27	18	16	7											
TSL 24/1	2,2									34	28,3	27	22	17	12		6							
TSL 25/1A	2,2															15	14	12,5	10,5	8,5				

Sito Web

Catalogo Generale



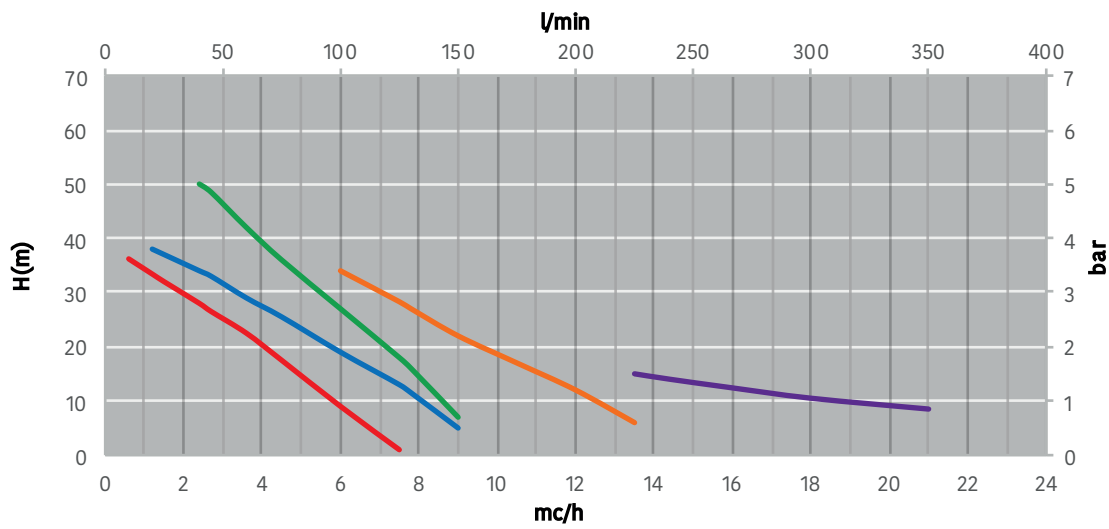
Feit Pompe S.r.l.

Via Venezia, 34/g - 10088 - Volpiano (TO) - ITALIA
Tel: +39 (0)11 9884327 - info@feit.srl - feit.srl

FEIT
1946
Evolving with you...

SELF PRIMING ELECTRIC PUMPS IN BRONZE

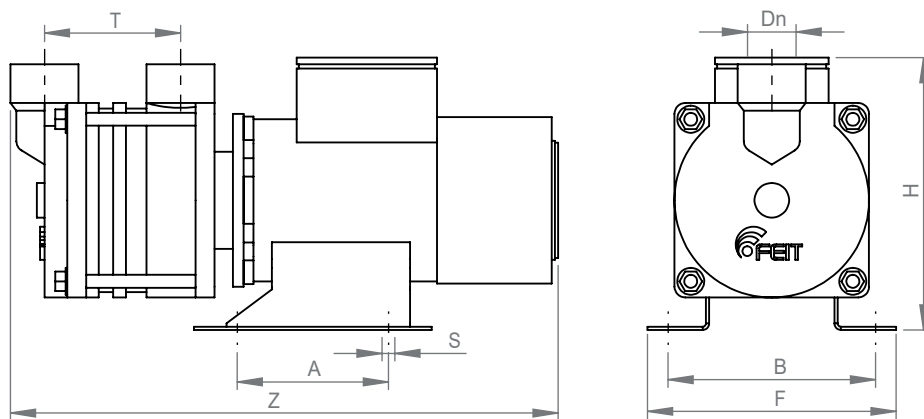
Series
TSL 20/1 - 25/1



	VOLT	RPM
TSL 20/1	24V	1700
TSL 24/1	24V	1450

	VOLT	RPM
TSL 23/1	24V	1700
TSL 25/1A	24V	1450

	VOLT	RPM
TSL 23/2	24V	1450



	Dn	A	B	F	H	S	T	Z	Kg
TSL 20/1	1"1/4G	100	125	155	210	9	105	430	26
TSL 23/1	1"1/4G	140	192	230	228	12	105	485	34
TSL 23/2	1"1/4G	140	192	230	228	12	130	500	38
TSL 24/1	1"1/2G	140	192	230	250	12	125	510	39
TSL 25/1A	2"G	140	192	230	260	12	165	560	45

SELF PRIMING ELECTRIC PUMPS IN BRONZE

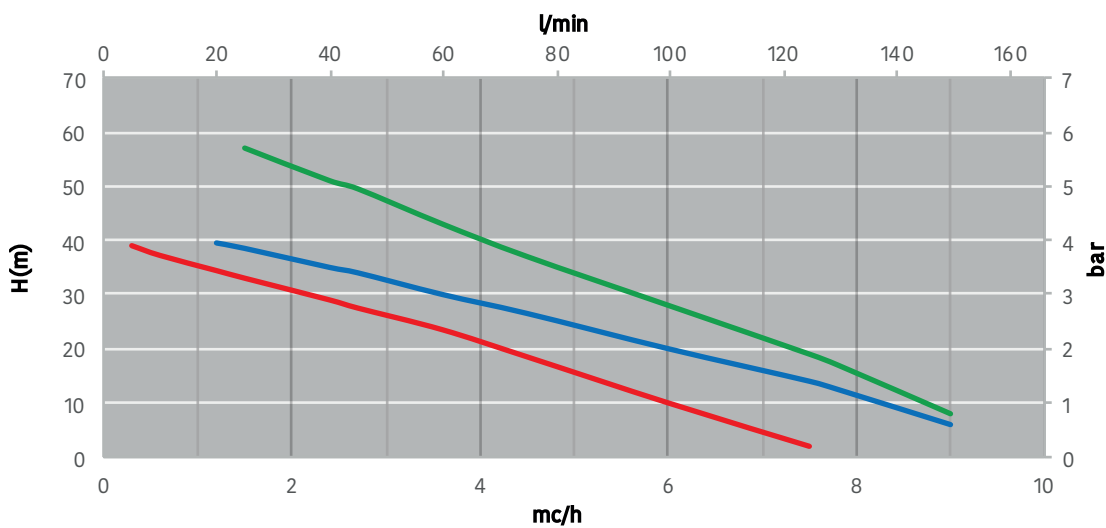
Series
TSL 20/1 - 25/1



TSL 25/1

AC EXECUTION 50Hz

		l/min	5	10	20	25	40	45	60	75	100	125	130	150	175	200	225	240	265	300	350	400	450
	Kw	mc/h	0,3	0,6	1,2	1,5	2,4	2,7	3,6	4,5	6	7,5	7,8	9	10,5	12	13,5	14,4	15,9	18	21	24	27
TSL 20/1	0,75		39	37	34,5	33,2	30	28,5	24,5	19,5	10	2	1										
TSL 23/1	1,1				39	38	35	34	30	26,5	20	14	2,5	6									
TSL 23/2	2,2					60	52	49,5	43	37	28	19	17	8									
TSL 24/1	2,2										35	29,3	28	23	18	13	8						
TSL 24/2	4	H(m)								71	65	56	45,5	43	35	26	18	10	5				
TSL 25/1A	2,2																16	15	13,5	11,5	9,5		
TSL 25/1B	3															23	20	18	15	12	7	2	
TSL 25/1C	4															36	33	31	28	23,4	17	10	2



	VOLT	RPM
TSL 20/1	230/400 230m	1450

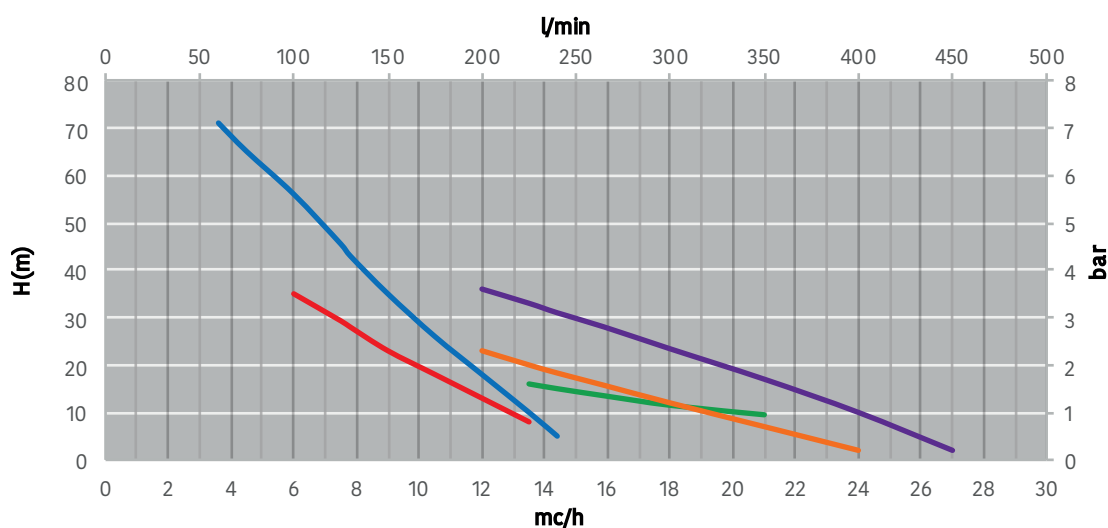
	VOLT	RPM
TSL 23/1	230/400 230m	1450

	VOLT	RPM
TSL 23/2	230/400 230m	1450

SELF PRIMING ELECTRIC PUMPS IN BRONZE

Series TSL 20/1 - 25/1

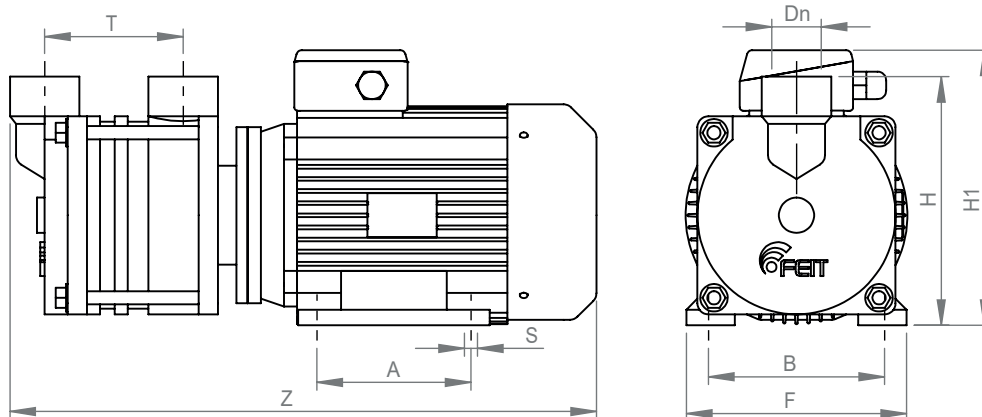
AVANTEC FABRIE.IT



	VOLT	RPM
TSL 24/1	230/400 230m	1450
TSL 25/1B	230/400 230m	1450

	VOLT	RPM
TSL 24/2	230/400 230m	1450
TSL 25/1C	230/400 230m	1450

	VOLT	RPM
TSL 25/1A	230/400 230m	1450



	Dn	A	B	F	H	H1	S	T	Z	Kg
TSL 20/1	1"1/4G	100	125	160	188	198	10	105	430	23
TSL 23/1	1"1/4G	125	140	170	198	228	10	105	490	29
TSL 23/2	1"1/4G	140	160	200	210	250	12	130	520	45
TSL 24/1	1"1/2G	140	160	200	230	250	12	125	530	46
TSL 24/2	1"1/2G	140	190	230	240	280	12	180	590	59
TSL 25/1A	2"G	140	160	205	240	250	12	165	580	53
TSL 25/1B	2"G	140	160	205	240	250	12	165	580	53
TSL 25/1C	2"G	140	190	230	250	276	12	165	600	61

Sito Web

Catalogo Generale



Feit Pompe S.r.l.

Via Venezia, 34/g - 10088 - Volpiano (TO) - ITALIA
Tel: +39 (0)11 9884327 - info@feit.srl - feit.srl

