



PVM 0,16



PVM 0,2



PVM 0,5



PVM 1

	Kw	Volt	Giri/1' RPM	Portata/Delivery L/min	Prevalenza/Head m
PVM 0,16	0,20	12-24	1300	26	5
PVM 0,2	0,26	12-24//230M.-230/400T	1450	31	6
PVM 0,5	0,37	12-24//230M.-230/400T	1450	75	8
PVM 0,5B	0,37	12-24//230M.-230/400T	1450	77	8
PVM 1R	0,37	24//230M.-230/400T	1450	100	8
PVM 1	0,55	24//230M.-230/400T	1450	120	9

Sito Web



Catalogo Generale



Feit Pompe S.r.l.

Via Venezia, 34/g - 10088 - Volpiano (TO) - ITALIA
Tel: +39 (0)11 9884327 - info@feit.srl - feit.srl

FEIT
1946
Evolving with you...

ELECTRIC-SELF PRIMING DIAPHRAGM PUMPS

Series
PVM

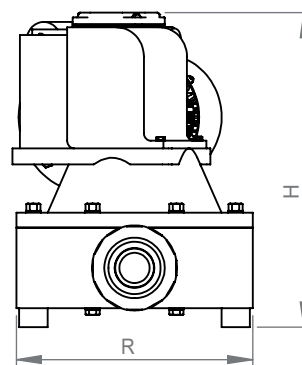
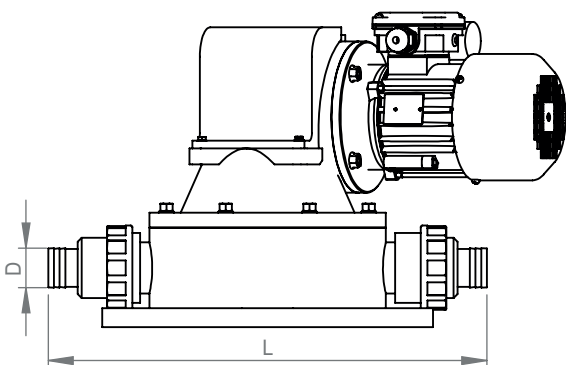
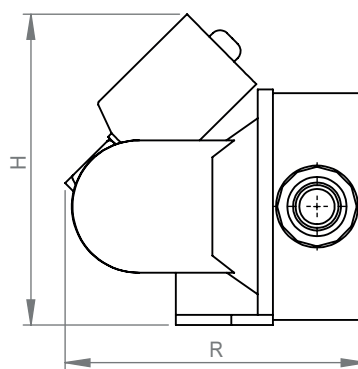
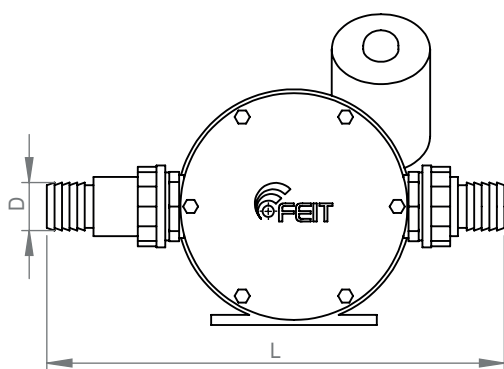
AVANTEC FABRIE, IT

CHARACTERISTICS

- **Body:** PVC, (bronze for PVM 0,5b)
- **Diaphragm:** NBR
- **Valves:** NBR
- **Shaft:** stainless steel AISI 316
- **Protection:** IP 55

APPLICATIONS

- extracting sea water, bilge
- discharge black water tank
- transferring drainage water
- transferring fuels
- transferring soft water and sea water



	D	H	R	L	Kg
PVM 0,16	30/38	250	180	350	6
PVM 0,2	38	280	200	380	10
PVM 0,5	40	340	250	470	18
PVM 0,5B	40	340	250	480	28
PVM 1R	40/45	400	300	580	22
PVM 1	45	420	300	580	24

Sito Web



Catalogo Generale



Feit Pompe S.r.l.

Via Venezia, 34/g - 10088 - Volpiano (TO) - ITALIA
Tel: +39 (0)11 9884327 - info@feit.srl - feit.srl

