



GR 50

	Kw	Volt	Giri/1' RPM	Portata/Delivery L/min	Prevalenza/Head m
GR 2	0,10	24//230M.-230/400T.	1600	3	4
GR 3	0,13	24//230M.-230/400T.	1600	4	4
GR 4	0,18	24//230M.-230/400T.	1500	5	5
GR 5	0,25	24//230M.-230/400T.	1500	7	5
GR 10	0,37	24//230M.-230/400T.	1450	10	5
GR 15	0,55	24//230M.-230/400T.	1450	15	5
GR 20	0,75	24//230M.-230/400T.	1450	20	5
GR 25	0,75	24//230M.-230/400T.	1450	25	5
GR 35	1,1	24//230M.-230/400T.	1450	35	5
GR 50	1,5	230M.-230/400T.	1450	50	5
GR 60	1,9	230M.-230/400T.	1450	60	5

Sito Web



Catalogo Generale



Feit Pompe S.r.l.

Via Venezia, 34/g - 10088 - Volpiano (TO) - ITALIA

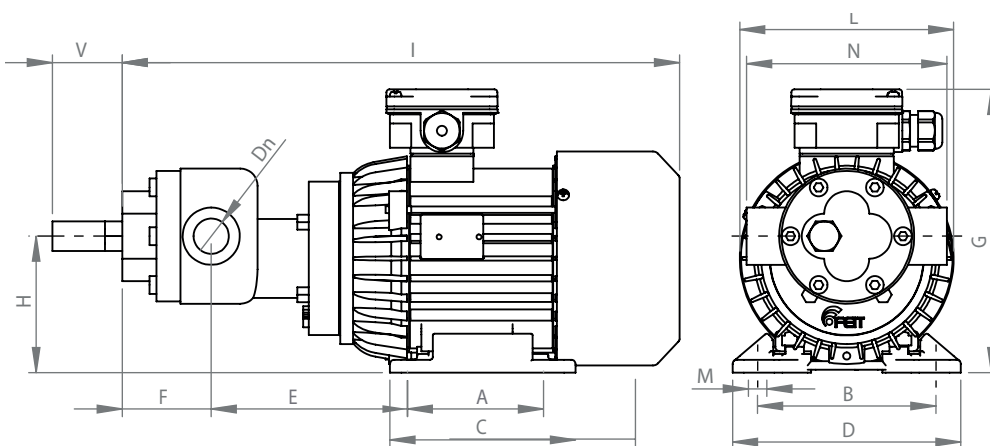
Tel: +39 (0)11 9884327 - info@feit.srl - feit.srl

CHARACTERISTICS

- **All Bronze.** Bronze all components, shaft in stainless steel AISI 316
- **All Stainless Steel,** 316 ss. all components
- **Cast iron,** body cast iron gears and shaft steel

APPLICATIONS

- transferring fuel oil
- transferring diesel and fuel
- Water supply for trailers
- transferring soft water and sea water
- Sampling ecology



	f	A	B	C	D	E	F	G	H	I	L	M	N	V
GR 2	3/8"gas	71	90	86	117	66	50	154	68	257	108	6	85	40
GR 3	3/8"gas	80	100	100	120	70	53	164	74	270	121	7	85	40
GR 4	3/8"gas	80	100	100	120	70	57	164	74	276	121	7	85	48
GR 5	1/2"gas	90	112	120	135	90	57	187	86	314	121	7	110	48
GR 10	3/4"gas	90	125	120	135	99	59	187	86	314	143	9	115	48
GR 15	3/4"gas	90	125	125	135	110	69	187	95	343	162	9	115	48
GR 20	3/4"gas	100	125	125	154	120	71	210	95	365	132	9	117	48
GR 25	3/4"gas	100	125	125	154	120	71	210	95	365	132	9	117	48
GR 35	1"gas	125	140	150	154	132	75	230	112	440	162	9	134	48
GR 50	1"gas	125	140	150	170	142	85	230	112	452	182	9	134	48
GR 60	1"1/4gas	125	140	150	170	142	85	230	112	452	182	9	122	48

Sito Web



Catalogo Generale



Feit Pompe S.r.l.

Via Venezia, 34/g - 10088 - Volpiano (TO) - ITALIA
Tel: +39 (0)11 9884327 - info@feit.srl - feit.srl

FEIT
1946
Evolving with you...