



MS 5B

**DC EXECUTION**

	Kw	mc/h	0,6	1,7	2,3	2,4	3	3,3	3,6	4,3	4,6	4,9	5	5,2	5,4	5,8	6,1	6,3	6,4
	0,37																		
<b>MS 5B</b>	0,55		29	20		12	8	4	1										
	0,55																		
<b>MS 15B</b>	0,9																		
	1,1	H(m)			50		40		30	20			10		1				
	1,1																		
<b>MS 20B</b>	1,5																		
	1,5								52	40	35	30		25		15	10	5	1

**CHARACTERISTICS**

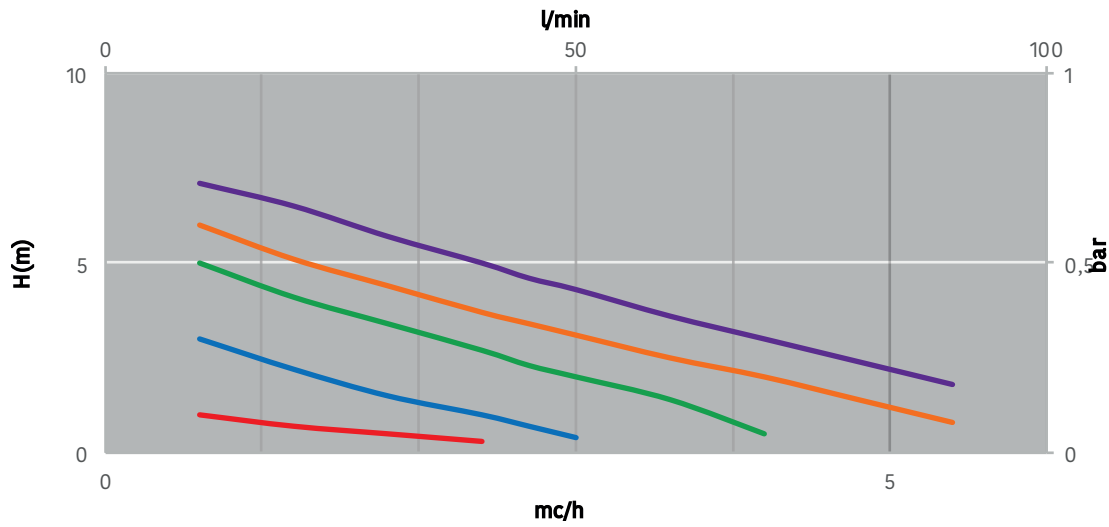
- **Pump casing:** bronze
- **Stator:** NBR, viton
- **Screw:** AISI 316 stainless steel
- **Shaft:** AISI 316 stainless steel
- **Seal:** mechanical
- **Motor:** 24 V D.C. 230 V A.C. 1 Ph, 230/400 V A.C.3Ph.

**APPLICATIONS**

- discharge black water tank
- transferring drainage water
- transferring fuels
- chain washing
- transferring soft water and sea water

# SELF PRIMING SCREW ELECTRIC PUMPS

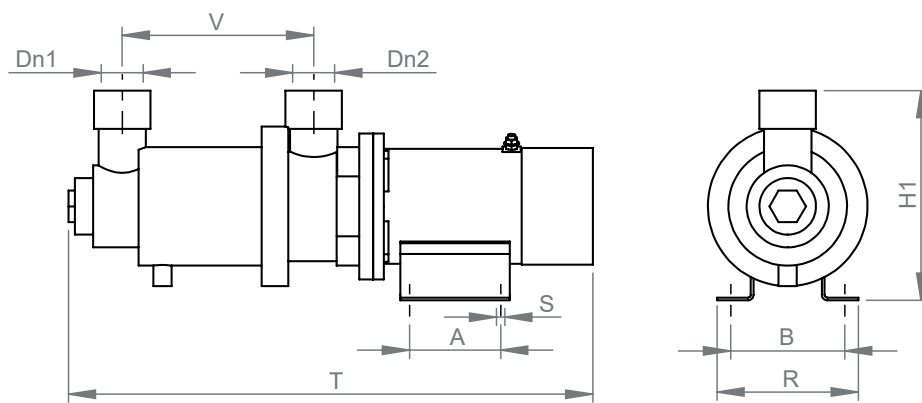
Series  
**MONO-Tipo MS 5/15/20**



	VOLT	RPM
<b>MS 5B</b>	24V	1450

	VOLT	RPM
<b>MS 15B</b>	24V	1450

	VOLT	RPM
<b>MS 20B</b>	24V	1450



	Dn1	Dn2	A	B	H1	H2	R	S	T	V	Kg
<b>MS 5B</b>	1"gas	1"gas	90	105	200	-	150	8	404	8	12/18
<b>MS 15B</b>	1"1/4gas	1"1/4gas	100	140	180	.	180	10	590	10	26/32
<b>MS 20B</b>	1"1/2gas	1"1/2gas	110	140	180	.	180	10	600	10	35/44



MS 20B

### AC EXECUTION 50Hz

	Kw	mc/h	1,75	1,9	2,2	2,3	2,7	2,8	2,94	3	3,3	3,6	4,3	5	5,2	5,4	5,5	6,1	6,4	
	0,37	H(m)																		
<b>MS 5B</b>	0,55		46	40	28	24	9	6	1											
	0,55																			
	0,9																			
<b>MS 15B</b>	1,1					50					40		30	20	10		1			
	1,1																			
	1,5																			
<b>MS 20B</b>	1,5												52	40		25		20		1
	1,5																			

### CHARACTERISTICS

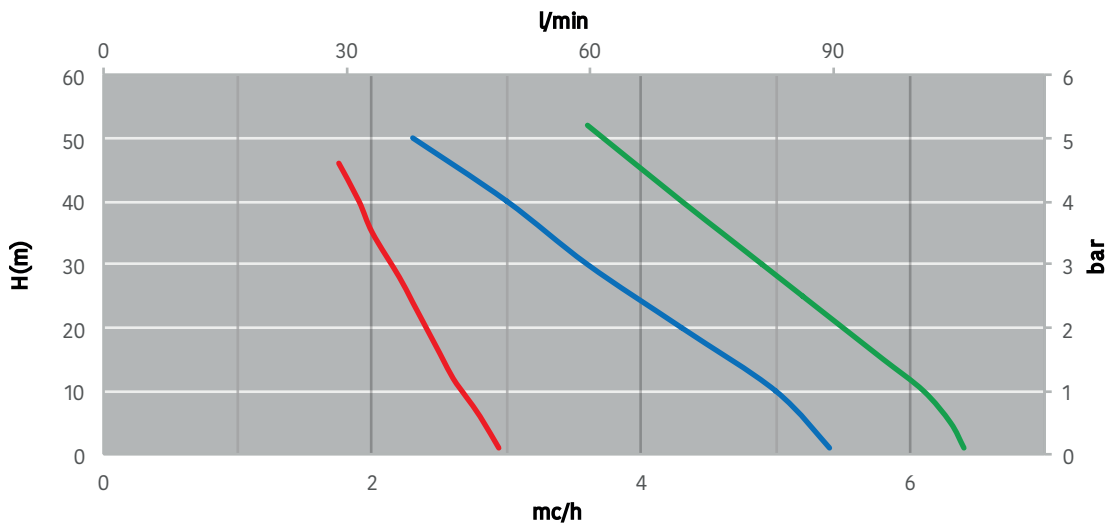
- **Pump casing:** bronze
- **Stator:** NBR, viton
- **Screw:** AISI 316 stainless steel

- **Shaft:** AISI 316 stainless steel
- **Seal:** mechanical
- **Motor:** 24 V D.C. 230 V A.C. 1 Ph, 230/400 V A.C.3Ph.

### APPLICATIONS

- discharge black water tank
- transferring drainage water

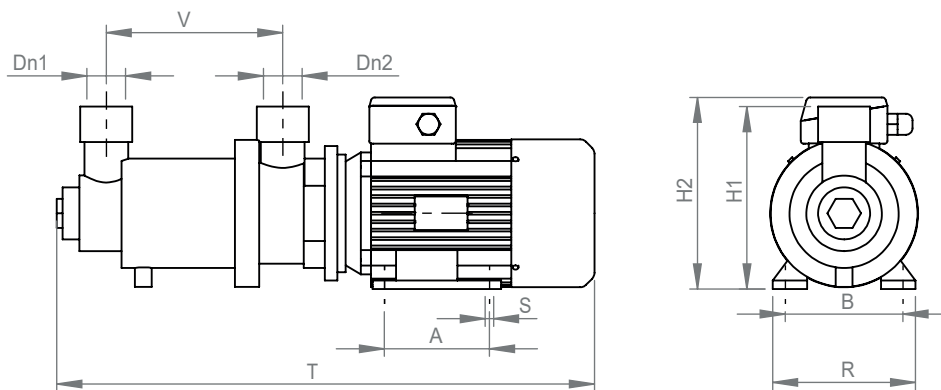
- transferring fuels
- chain washing
- transferring soft water and sea water



	VOLT	RPM
<b>MS 5B</b>	230/400 230m	1450

	VOLT	RPM
<b>MS 15B</b>	230/400 230m	1450

	VOLT	RPM
<b>MS 20B</b>	230/400 230m	1450



	Dn1	Dn2	A	B	H1	H2	R	S	T	V	Kg
<b>MS 5B</b>	1"gas	1"gas	90	105	200	215	150	8	404	8	12/18
<b>MS 15B</b>	1"1/4gas	1"1/4gas	100	140	180	220	180	10	590	10	26/32
<b>MS 20B</b>	1"1/2gas	1"1/2gas	110	140	180	230	180	10	600	10	35/44

Sito Web



Catalogo Generale



**Feit Pompe S.r.l.**

Via Venezia, 34/g - 10088 - Volpiano (TO) - ITALIA  
Tel: +39 (0)11 9884327 - info@feit.srl - feit.srl

