



AM 992I



AM 992I

	Kw	Tank l.	Pressure bar	Delivery L/min	1' R.P.M.
AM 992I	0,37	24	3,5	60	2950
AM 992IR	0,45	24	4	70	2950
AM 990B	0,37	24	3,5	65	2950
AM 990BR	0,45	24	4	70	2950
AM 993I-B	0,55	24	3,7	70	2950
AM 994I-B	0,75	24	4	83	2950
AM 995I-B	1,1	24	4,5	98	2950
AM 996I-B	1,5	24	5	150	2950
AM 997B	2,2	24	6	170	2950

Sito Web



Catalogo Generale



Feit Pompe S.r.l.

Via Venezia, 34/g - 10088 - Volpiano (TO) - ITALIA

Tel: +39 (0)11 9884327 - info@feit.srl - feit.srl

**FEIT**  
1946  
Evolving with you...

## AM 992I-992IR-994I-995I-996I CHARACTERISTICS

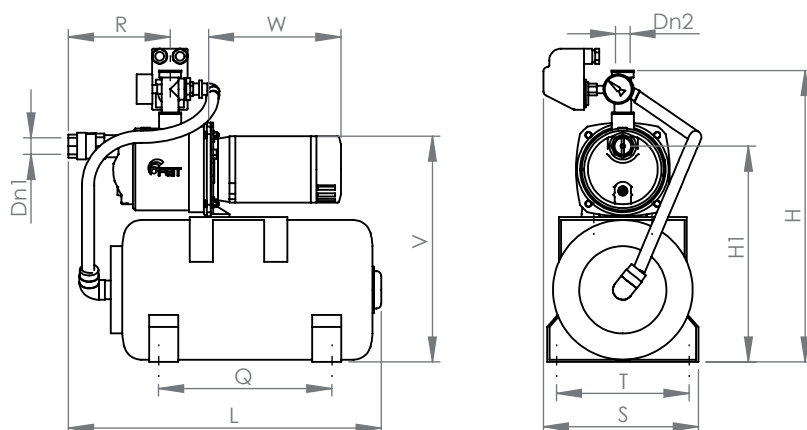
- **Body:** stainless steel
- **Impeller:** brass
- **Shaft:** stainless steel
- **Screw:** stainless steel

- **Seal:** mechanical
- **Motor:** 230 V 1 Ph, 230/400 V.C.3Ph. 12 or 24 V.D.C.
- **Protection:** IP55

## AM 990B-990BR-993B-994B-995B-996B-997B CHARACTERISTICS

- **Body:** bronze
- **Impeller:** brass
- **Shaft:** stainless steel
- **Screw:** stainless steel

- **Seal:** mechanical
- **Motor:** 230 V 1 Ph, 230/400 V.C.3Ph. 12 or 24 V.D.C.
- **Protection:** IP55



	D1	D2	L	Q	V	R	W	T	S	H1	H	Kg
AM 992I - AM 992IR	30	30	560	300	465	115	260	220	290	393	540	20
AM 993I - AM 994I	30	30	560	300	465	115	260	220	290	393	540	21
AM 995I - AM 996I	30	30	560	300	480	140	260	220	290	429	560	25
AM 990B - AM 990BR	30	30	560	300	468	130	265	220	290	393	540	21
AM 993B - AM 994B	30	30	560	300	468	130	265	220	290	393	540	24
AM995B - AM 996B	50	30	570	300	530	160	310	220	290	510	650	26
AM 997B	50	30	570	300	530	160	310	220	290	510	650	26

Sito Web



Catalogo Generale



Feit Pompe S.r.l.

Via Venezia, 34/g - 10088 - Volpiano (TO) - ITALIA

Tel: +39 (0)11 9884327 - info@feit.srl - feit.srl