



TSL 26/1

		l/min	100	130	150	200	240	300	350	400	450	500	550	600	650	700	750	800
	Kw	mc/h	6	7,8	9	12	14,4	18	21	24	27	30	33	36	39	42	45	48
TSL 26/1A	7,5	H(m)											25	22	19	15,2	11	6
TSL 26/1B	11					60	56	51	47	42,5	38	34	29,3	24,7	21	17	12	7
TSL 26/1C	15		69	67	63	60	55	50	46	42	38	33	28	23,4	19	14	9	

CHARACTERISTICS

- **Pump casing:** bronze
- **Impeller:** bronze
- **Diffuser:** bronze
- **Shaft:** AISI 316 stainless steel
- **Seal:** mechanical - carbon - ceramic - NBR
- **Motor:** 230/400T other version on request

On request:

- execution with bare shaft
- with hand clutch
- with electric clutch
- other voltages

- Capability of handling entrained liquids under continuous operating
- Suction up to 7 m.

- Foot valve not required
- Quiet operation and minimal vibration

APPLICATIONS

- extracting sea water, bilge
- transferring fuels in general
- transferring soft water and sea water

- chain washing
- conditioning system
- fire-fighting

Sito Web



Catalogo Generale



Feit Pompe S.r.l.

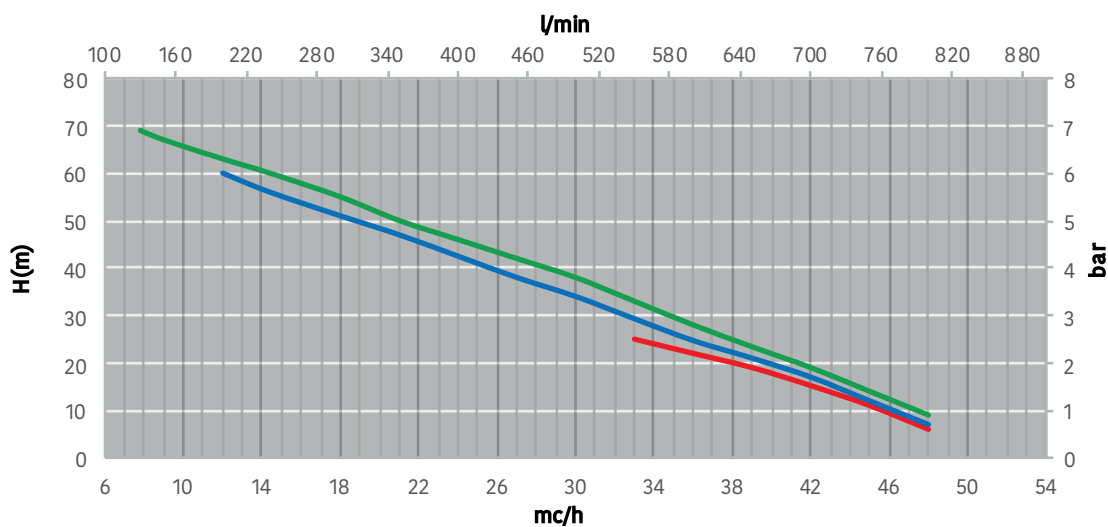
Via Venezia, 34/g - 10088 - Volpiano (TO) - ITALIA
Tel: +39 (0)11 9884327 - info@feit.srl - feit.srl

FEIT
1946
Evolving with you...

SELF PRIMING ELECTRIC PUMPS IN BRONZE

Series
TSL 26/1

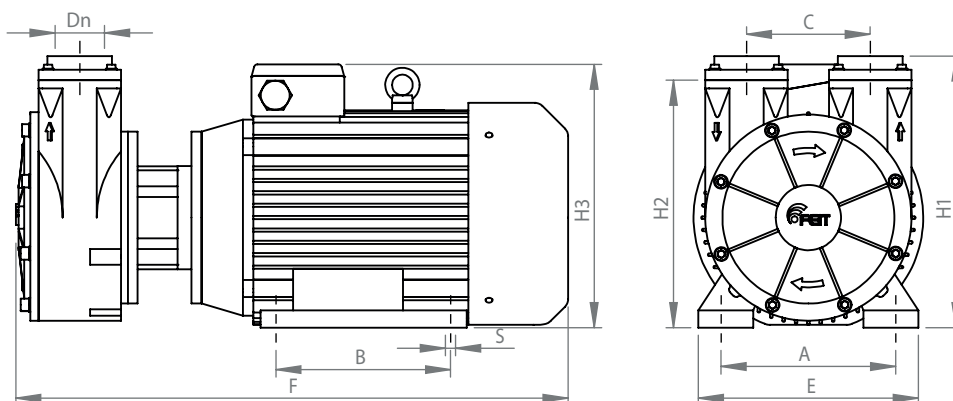
AVANTAGE FABRIE.IT



	VOLT	RPM
TSL 26/1A	230/400 230m	1450

	VOLT	RPM
TSL 26/1B	230/400 230m	1450

	VOLT	RPM
TSL 26/1C	230/400 230m	1450



	Dn	A	B	C	E	F	H1	H2	H3	S	Kg
TSL 26/1A	2"1/2	216	178	180	300	710	395	360	310	12	92
TSL 26/1B	2"1/2	254	210	180	320	710	395	360	383	15	133
TSL 26/1C	2"1/2	254	254	180	320	803	395	360	383	15	153

Sito Web



Catalogo Generale



Feit Pompe S.r.l.

Via Venezia, 34/g - 10088 - Volpiano (TO) - ITALIA

Tel: +39 (0)11 9884327 - info@feit.srl - feit.srl

FEIT
1946
Evolving with you...