



AM 992ISP24



AM 994ISP24

	Kw	Engine	Pressure bar	Delivery L/min	1' R.P.M.	Kg
AM 60BSP12EM	0,25	12V-24V 230V-230/400T	2,2	28	2950	5
AM 990BSP12SP24	0,37		3,5	60	2950	13
AM 990BRSP12SP24	0,45		3,7	65	2950	14
AM 992ISP12SP24	0,37		3,5	50	2950	10
AM 992IRSP12SP24	0,45		3,7	55	2950	10
AM 994BSP12SP24	0,75	24V 230V-230/400T	4	85	2950	21
AM 994ISP12SP24	0,75		4	85	2950	12
AM 995BSP12SP24	1,1		4	110	2950	30
AM 995ISP12ESP24	1,1		4	110	2950	22
AM 996BSP12SP24	1,5		4,7	160	2950	32
AM 996ISP12SP24	1,5	4,7	160	2950	24	

AM 992I-992IR-994I-995I-996I CHARACTERISTICS

- **Body:** stainless steel
- **Impeller:** bronze
- **Shaft:** stainless steel

- **Screw:** stainless steel
- **Seal:** mechanical/ceramic/graphite/steel

AM60-990B-990BR 994B-995B-996B CHARACTERISTICS

- **Body:** bronze
- **Impeller:** bronze
- **Shaft:** stainless steel

- **Screw:** stainless steel
- **Seal:** mechanical/ceramic/graphite/steel

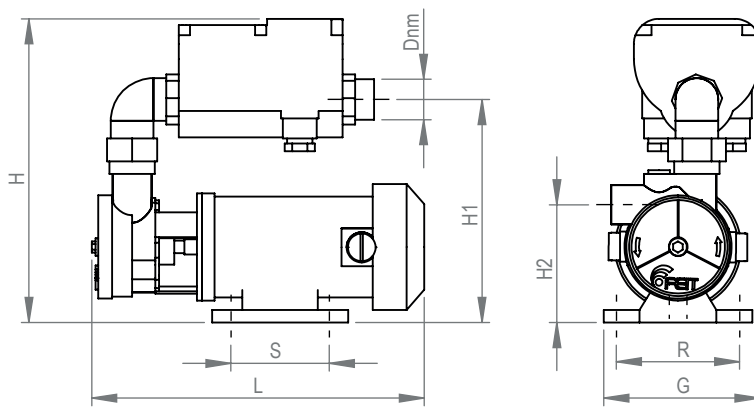
Sito Web



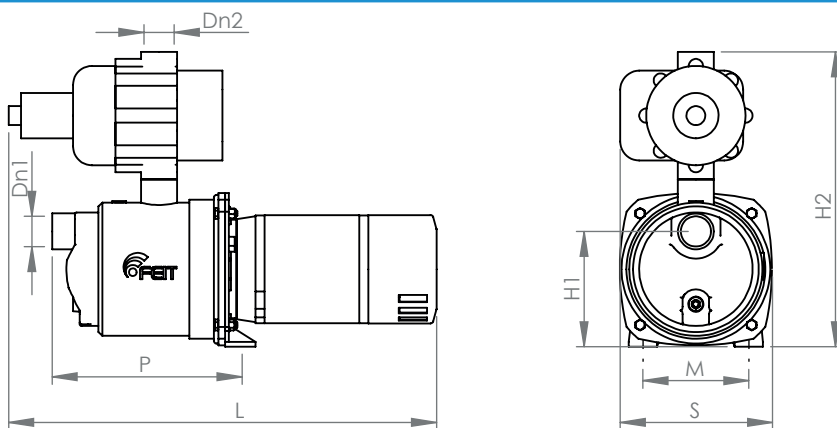
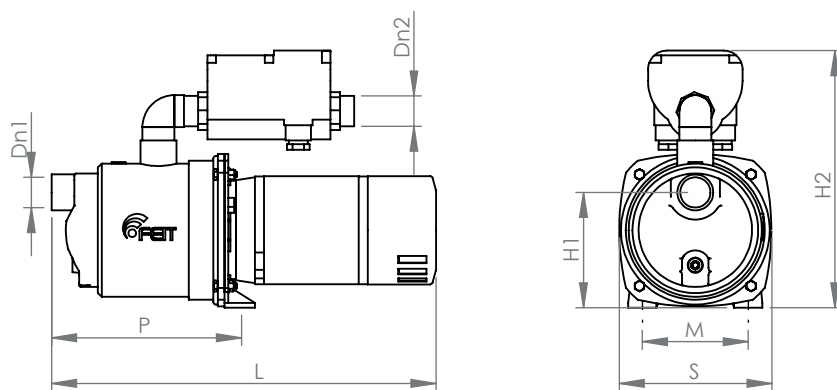
Catalogo Generale



Feit Pompe S.r.l.
Via Venezia, 34/g - 10088 - Volpiano (TO) - ITALIA
Tel: +39 (0)11 9884327 - info@feit.srl - feit.srl



	Dnm	L	H	H1	H2	S	R	K	G
AM 60BSP12EM	1/2"gas	265	275	207	100	80	95	7	118



		D1	D2	L	P	M	S	H1	H2
SP12	AM 990B-990BR-992I-992IR	1"	1"	400	165	110	160	130	315
	AM 994BSP12E	1"	1"	445	190	155	160	150	340
	AM 995BSP12E	1 1/2"	1"	550	210	175	215	165	370
SP24	AM 996BSP12E	1 1/2"	1"	580	210	175	215	165	370
	AM 990B-990BR-992I-992IR	1"	1"	450	165	110	160	130	375
	AM 994BSP12E	1"	1"	500	190	155	160	150	400
	AM 995BSP12E	1 1/2"	1"	600	210	175	215	165	430
	AM 996BSP12E	1 1/2"	1"	630	210	175	215	165	435

Sito Web



Catalogo Generale



Feit Pompe S.r.l.

Via Venezia, 34/g - 10088 - Volpiano (TO) - ITALIA

Tel: +39 (0)11 9884327 - info@feit.srl - feit.srl

