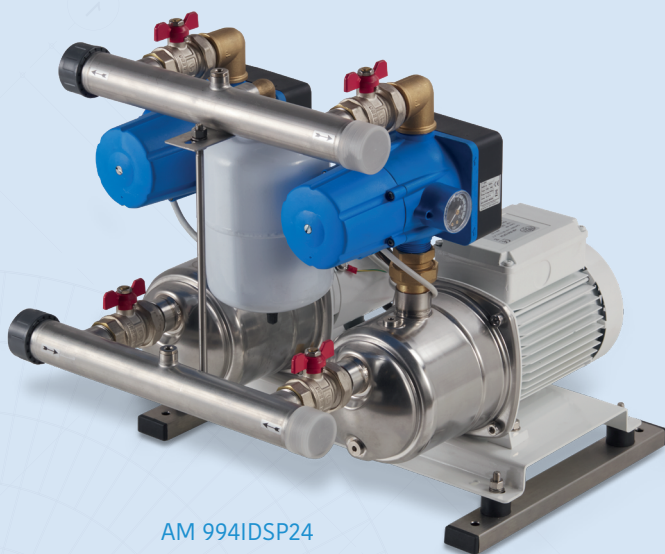


WATER PRESSURE SYSTEMS

Series
AMD SP

WITH TWO SELF PRIMING CENTRIFUGAL PUMPS



AM 994IDSP24



AM 994IDSP24

	Kw	Pressure bar	Delivery L/min	1' R.P.M.
AM 992IDSP24	0,37+0,37	3,5	55+55	2950
AM 992IRDSP24	0,45+0,45	3,7	60+60	2950
AM 990BDSP24	0,37+0,37	3,5	65+65	2950
AM 990BRDSP24	0,45+0,45	3,7	70+70	2950
AM 994BDSP24	0,75+0,75	4	83+83	2950
AM 994IDSP24	0,75+0,75	4	83+83	2950
AM 995BDSP24	1,1+1,1	4,5	98+98	2950
AM 995IDSP24	1,1+1,1	4,5	98+98	2950
AM 996BDSP24	1,5+1,5	4,7	155+155	2950
AM 996IDSP24	1,5+1,5	4,7	155+155	2950
AM 997BDSP24	2,2+2,2	4,9	165+165	2950

Sito Web



Catalogo Generale



Feit Pompe S.r.l.

Via Venezia, 34/g - 10088 - Volpiano (TO) - ITALIA

Tel: +39 (0)11 9884327 - info@feit.srl - feit.srl

FEIT
1946
Evolving with you...

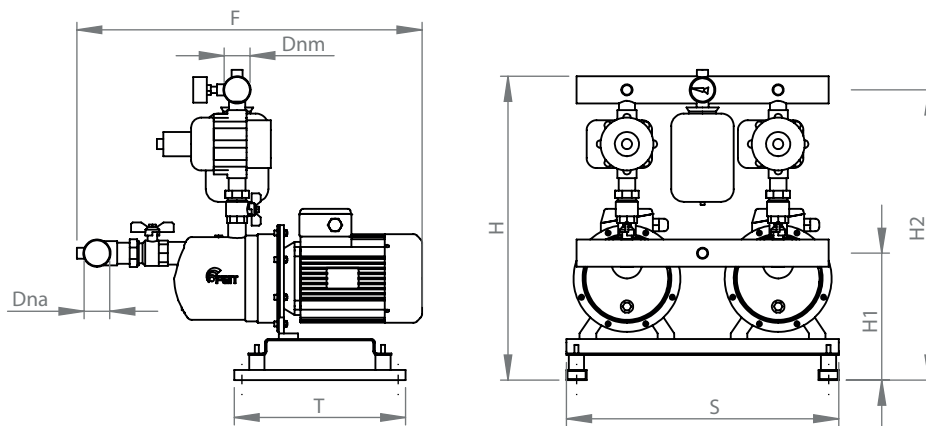
WITH TWO SELF PRIMING CENTRIFUGAL PUMPS

AMD 992I-992IR-993I-994I-995I-996I SP24 CHARACTERISTICS

- **Body:** stainless steel
- **Impeller:** bronze
- **Shaft:** stainless steel
- **Screw:** stainless steel
- **Seal:** mechanical

AM990B-990BR-99B3-994B-995B-996B-997B SP24 CHARACTERISTICS

- **Body:** bronze
- **Impeller:** bronze
- **Shaft:** stainless steel
- **Screw:** stainless steel
- **Seal:** mechanical



	Dna	Dnm	H	H1	H2	S	T	F	Kg
AM 992IDSP24	1"	1"	500	221	470	450	315	545	28
AM 992IRDSP24	1"	1"	500	221	470	450	315	545	29
AM 990BDSP24	1"	1"	500	221	470	450	315	545	31
AM 990BRDSP24	1"	1"	500	221	470	450	315	545	32
AM 994BDSP24	1"	1"	530	240	490	450	315	715	65
AM 994IDSP24	1"	1"	530	240	490	530	315	715	65
AM 995BDSP24	1"1/4	1"1/4	540	240	500	530	315	900	76
AM 995IDSP24	1"1/4	1"1/4	540	240	500	530	315	900	76
AM 996BDSP24	2"	1"1/2	540	240	500	530	315	900	77
AM 996IDSP24	2"	1"1/2	540	240	500	530	315	900	77
AM 997BDSP24	2"	1"1/2	540	240	500	530	315	900	78

Sito Web



Catalogo Generale



Feit Pompe S.r.l.

Via Venezia, 34/g - 10088 - Volpiano (TO) - ITALIA

Tel: +39 (0)11 9884327 - info@feit.srl - feit.srl