



# SELF-PRIMING HAND PUMPS

Series  
**SOLVER** for all solvent



SOLVER

	Capacity	Delivery	Connection	Suction
	l/min	m		m
<b>SOLVER</b>	20	5	3/4"gas	2

Sito Web



Catalogo Generale



**Feit Pompe S.r.l.**  
Via Venezia, 34/g - 10088 - Volpiano (TO) - ITALIA  
Tel: +39 (0)11 9884327 - info@feit.srl - feit.srl

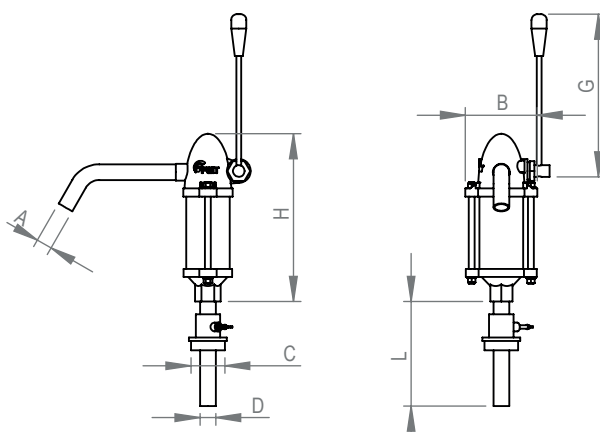


### CHARACTERISTICS

- **Pump body:** bronze
- **Support:** alluminium specially treated
- **Packing:** teflon
- **Screws:** stainless steel
- Immediate self-priming without need for pre-filling pump body
- Maximum reliability of operation, even following inactivity for lengthy periods
- Requires no foot valve, or filter
- No maintenance required
- Easy to disassemble

### APPLICATIONS

- gasoline
- benzene
- nitro solvent
- acetone
- trielyne
- chlorotene
- perchloro
- toluolo
- xylene
- carbon tetrachloride
- chlorination solvent
- aliphatic solvent
- aromatic solvent



	A	B	C	D	G	H	L	Kg
<b>SOLVER</b>	27	125	2"	27	270	290	900	3,5

Sito Web



Catalogo Generale



**Feit Pompe S.r.l.**

Via Venezia, 34/g - 10088 - Volpiano (TO) - ITALIA  
Tel: +39 (0)11 9884327 - info@feit.srl - feit.srl

**FEIT**  
1946  
Evolving with you...