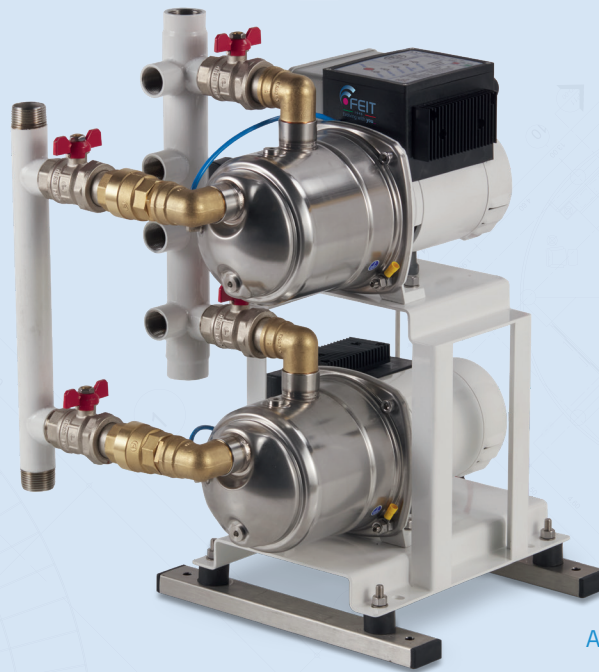


WITH TWO SELF PRIMING CENTRIFUGAL PUMPS



AM 992ID2QDCE

	Kw	Amp. Max	Pressure bar	Delivery L/min	1' R.P.M.
AMD 992I	0,37+0,37	36	3,5	50+50	da 500 a 2950
AMD 992IR	0,45+0,45	38	3,7	55+55	da 500 a 2950
AMD 993I	0,75+0,75	40	3,7	80+80	da 500 a 2950
AMD 990B	0,37+0,37	36	3,5	65+65	da 500 a 2950
AMD 990BR	0,45+0,45	38	3,7	70+70	da 500 a 2950
AMD 993B	0,75+0,75	40	3,7	80+80	da 500 a 2950

### AMD 992I-993I CHARACTERISTICS

- **Body:** stainless steel
- **Impeller:** noryl -bronze
- **Shaft:** stainless steel
- **Screw:** stainless steel
- **Seal:** mechanical

### AMD 990B-993B CHARACTERISTICS

- **Body:** bronze
- **Impeller:** noryl - bronze on request
- **Shaft:** stainless steel
- **Screw:** stainless steel
- **Seal:** mechanical

Sito Web

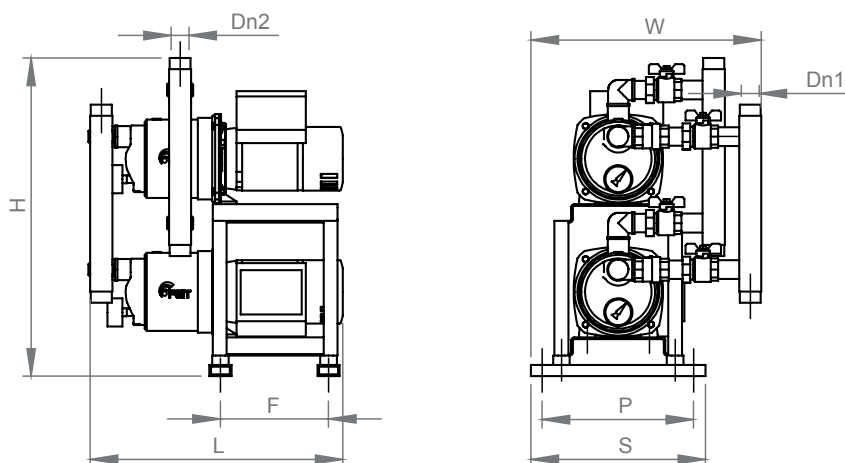


Catalogo Generale

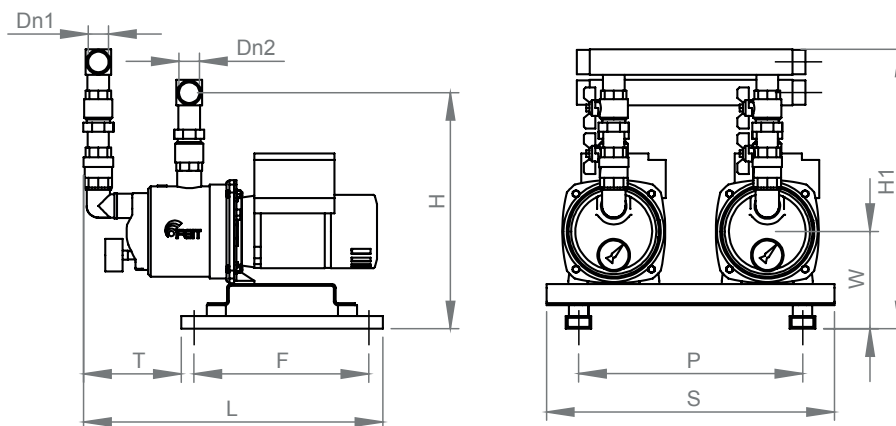


Feit Pompe S.r.l.  
Via Venezia, 34/g - 10088 - Volpiano (TO) - ITALIA  
Tel: +39 (0)11 9884327 - info@feit.srl - feit.srl

WITH TWO SELF PRIMING CENTRIFUGAL PUMPS



	L	S	D1	D2	F	P	W	H	
Vertical	AMD 992I	460	315	1"	1"	195	275	415	573
	AMD 992IR	460	315	1"	1"	195	275	415	573
	AMD 993I	500	315	1"1/4	1"1/4	200	275	415	580
	AMD 990B	460	315	1"	1"	195	275	415	573
	AMD 990BR	460	315	1"	1"	195	275	415	573
	AMD 993B	500	315	1"1/4	1"1/4	200	275	415	580



	L	S	D1	D2	F	P	W	T	H	H1	
horizontal	AMD 992I	467	450	1"	1"	275	350	152	152	370	437
	AMD 992IR	467	450	1"	1"	275	350	152	152	370	437
	AMD 993I	480	510	1"1/4	1"1/4	300	380	175	162	390	420
	AMD 990B	467	450	1"	1"	275	350	152	152	370	437
	AMD 990BR	467	450	1"	1"	275	350	152	152	370	437
	AMD 993B	480	510	1"1/4	1"1/4	300	380	175	162	390	420

Sito Web



Catalogo Generale



Feit Pompe S.r.l.

Via Venezia, 34/g - 10088 - Volpiano (TO) - ITALIA

Tel: +39 (0)11 9884327 - info@feit.srl - feit.srl