



AM 30/2

CHARACTERISTICS

- **Pump casing:** PVC
- **Diaphragm:** synthetic rubber
- **Valves:** synthetic rubber
- **Motor:** AM20, AM20/2, AM30 12 or 24V. D.C. AM30, AM30/2 12/24 V.C.C. 230A.C.; 1Ph. 230/400; 3 Ph.

	Kw	Amp. Max				Pressure bar	Delivery L/min	Ports
		12V	24V	230M	230/400T			
AM 20	0,12	7	4			2	13	1/2" GAS F 15
AM 20/2	0,12	7	4			2	13	1/2" GAS F 15
AM 30	0,20	13	7			3	35	3/4" GAS F 20
AM 30/2	0,20	13	7			3	35	3/4" GAS F 20 3/4"
AM 30	0,09			0,73	0,59/0,34	3	35	3/4" GAS F 20 3/4"
AM 30/2	0,09			0,73	0,59/0,34	3	35	3/4" GAS F 20 3/4"

Sito Web



Catalogo Generale



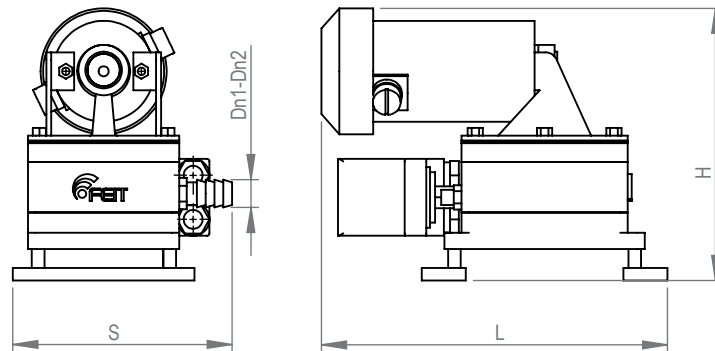
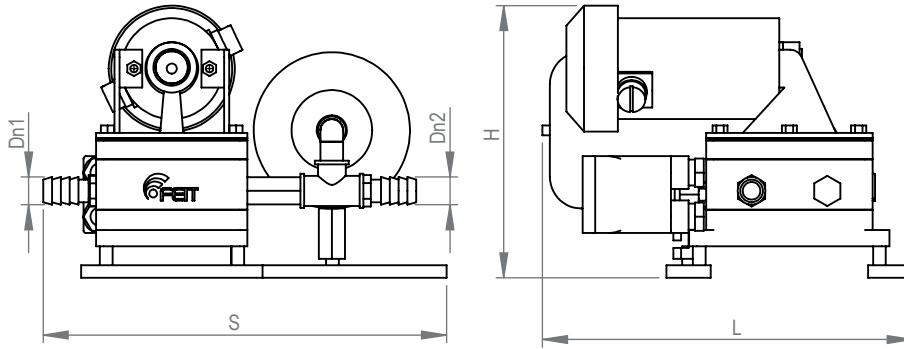
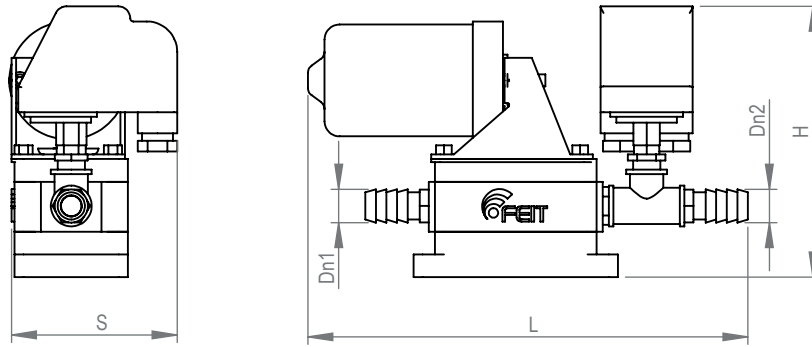
Feit Pompe S.r.l.
Via Venezia, 34/g - 10088 - Volpiano (TO) - ITALIA
Tel: +39 (0)11 9884327 - info@feit.srl - feit.srl

FEIT
1946
Evolving with you...

WATER PRESSURE SYSTEMS DIAPHRAGM OPERATED SELF PRIMING PUMP

Series
AM 20-30 types

AVANTEC FABRIE.IT



	H	L	S	Dn1	Dn2	Kg
AM 20	180	290	100	15	15	3
AM 20/2	190	280	220	15	15	4
AM 30	195	290	120	20	20	4,5
AM 30/2	200	280	280	20	20	6

Sito Web



Catalogo Generale



Feit Pompe S.r.l.

Via Venezia, 34/g - 10088 - Volpiano (TO) - ITALIA
Tel: +39 (0)11 9884327 - info@feit.srl - feit.srl

