



TR100

	Litres			Setting safety valve	Testing pressure
	l.	Volt	Watt		
TR 22	22		1200	4/1	8
TR 30	30		1200	4/1	8
TR 45	45	110-230 M	1200	4/1	8
TR 60	60	230-400 T	1200	4/1	8
TR 80	80	110-230 1ph	1500/3000	4/1	8
TR 100	100	230-400 3ph	1500/3000	4/1	8
TR 150	150		1500/3000	4/1	8
TR 200	150		1500/3000	4/1	8

## CHARACTERISTICS

- **Tank:** AISI 316 stainless steel
- **Exchanger:** aluminium specially treated
- **Resistance:** INCOLOY (800/1200 W)
- **Isolation:** expanded polyuretane

- **External casing:** stainless steel (bright type)

• **Safety valve****On request:**

- thermostatic water mixer kit

Sito Web



Catalogo Generale

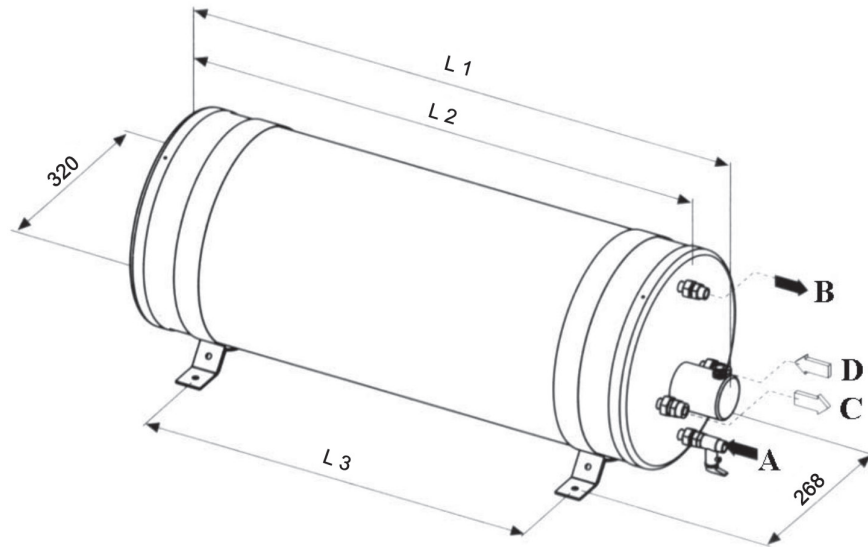


Feit Pompe S.r.l.

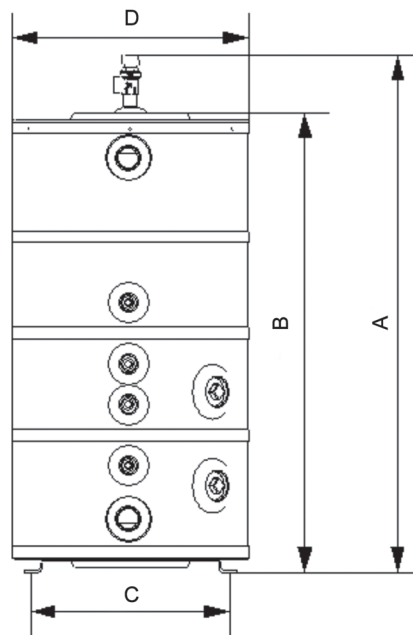
Via Venezia, 34/g - 10088 - Volpiano (TO) - ITALIA

Tel: +39 (0)11 9884327 - info@feit.srl - feit.srl

**FEIT**  
1946  
Evolving with you...



	L1	L2	L3	A	B	C	D	Kg	
<b>horizontal</b>	<b>TR 22</b>	470	395	295	3/8gas	3/8gas	1/2" gas	1/2" gas	8
	<b>TR 30</b>	615	540	440	3/8gas	3/8gas	1/2" gas	1/2" gas	10
	<b>TR 45</b>	875	800	705	3/8gas	3/8gas	1/2" gas	1/2" gas	13
	<b>TR 60</b>	1055	980	880	3/8gas	3/8gas	1/2" gas	1/2" gas	17



Other dimensions: on request

	A	B	C	D	Kg	
<b>Vertical</b>	<b>TR 80</b>	960	905	386	460	28
	<b>TR 100</b>	960	905	386	460	33
	<b>TR 150</b>	1330	1275	386	460	40
	<b>TR 200</b>	1720	1665	386	460	43

Sito Web



Catalogo Generale



**Feit Pompe S.r.l.**

Via Venezia, 34/g - 10088 - Volpiano (TO) - ITALIA  
Tel: +39 (0)11 9884327 - info@feit.srl - feit.srl

