

SELF-PRIMING DIAPHRAGM HAND PUMP

Series
MARINA/STANDARD



YAKO STZZ

	Capacity	Delivery	Connection	Suction
	l/min	m	mm	m
YAKO STZZ	40	4	30	2

CHARACTERISTICS

- **Pump body:** PVC
- **Support:** aluminium specially treated
- **Diaphragm:** durable synthetic rubber

- Immediate self-priming without need for pre-filling pump body
- Maximum reliability of operation, even following inactivity for lengthy periods
- Requires no foot valve, or filter

- **Valves:** durable synthetic rubber
- **Screws:** AISI 316 stainless steel
- **Connection take:** PVC Ø 30 mm.

- Operating lever removable from its housing
- Ease of control and inspection of valves without using tools
- No maintenance required
- Easy to disassemble

Sito Web



Catalogo Generale



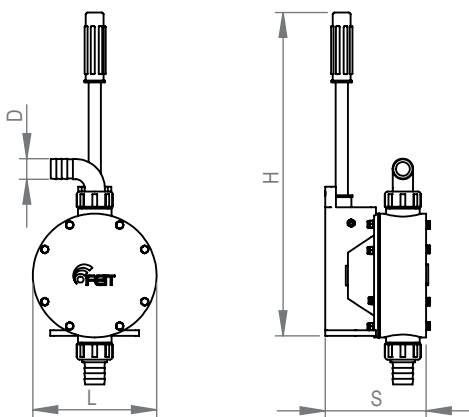
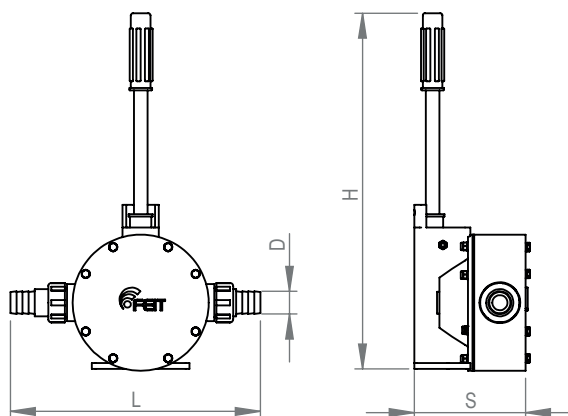
Feit Pompe S.r.l.

Via Venezia, 34/g - 10088 - Volpiano (TO) - ITALIA
Tel: +39 (0)11 9884327 - info@feit.srl - feit.srl

**FEIT**
1946
Evolving with you...

APPLICATIONS

- seawater, bilge of amphibian vehicles and crafts
- decanting fuels usually: petrol, diesel, kerosene, oil, naphtha, fluid oils, etc.
- draining of basements, underground passages, drains for electrical and phone cables
- draining water, rainwater, muddy waters, slimy and sandy waters
- supplying fresh water for caravans, crafts, and concrete mixers
- draining of coolants from machine tools, also containing filings, and emery shavings, saw dust, etc.
- laundry drains, wells for sewage, septic tanks
- transferring coolants, disinfectants, weed killers, etc.



	D	L	S	H	Kg
YAKO STZZ	30	365	145	570	2,6
YAKO STVV	30	180	145	660	2,6

Sito Web



Catalogo Generale



Feit Pompe S.r.l.
Via Venezia, 34/g - 10088 - Volpiano (TO) - ITALIA
Tel: +39 (0)11 9884327 - info@feit.srl - feit.srl

FEIT
1946
Evolving with you...