



FRD 150

From a request by shipyards, our ideal response for your boat...

With Feit you can optimize onboard operations with high-quality cable reels. We offer a wide range designed to meet your specific needs.

The FRD63, FRD150, and FRD200 models are made from durable materials like anodized aluminum and stainless steel, perfect for marine environments. Each cable reel features a powerful, silent motor and a cable guide system that prevents jamming and ensures smooth operation.

With a robust design and complete accessories, including a remote control panel and a radio control, our cable reels are easy to install. We also provide a wide range of customizable fittings and tubes to meet all your requirements. Choose Feit for certified cable reels.

Sito Web



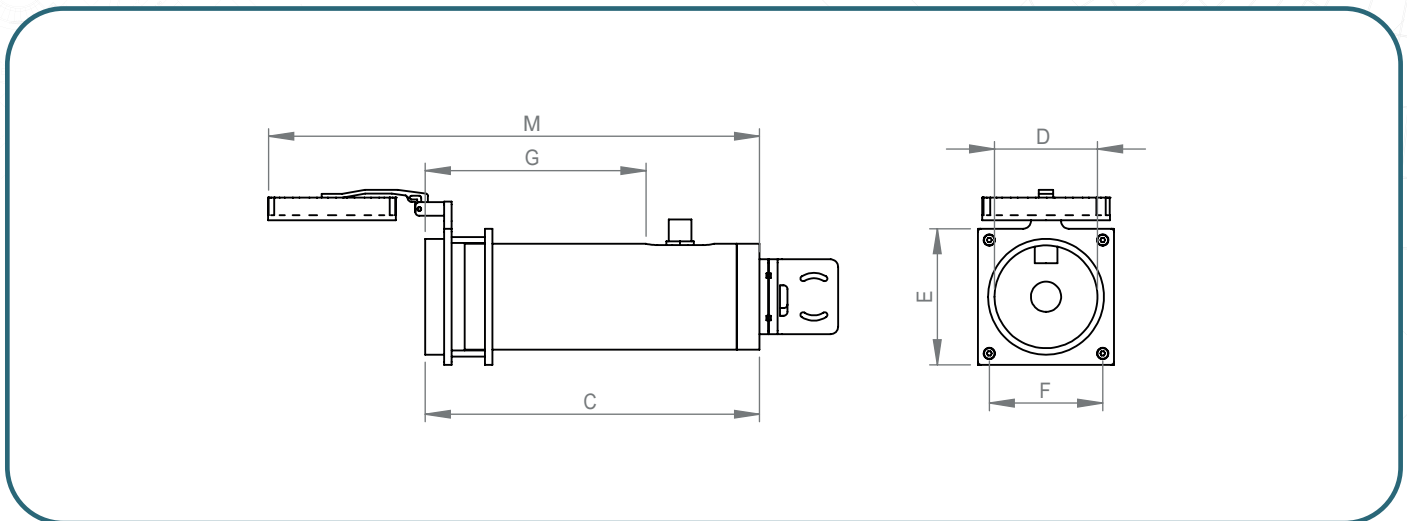
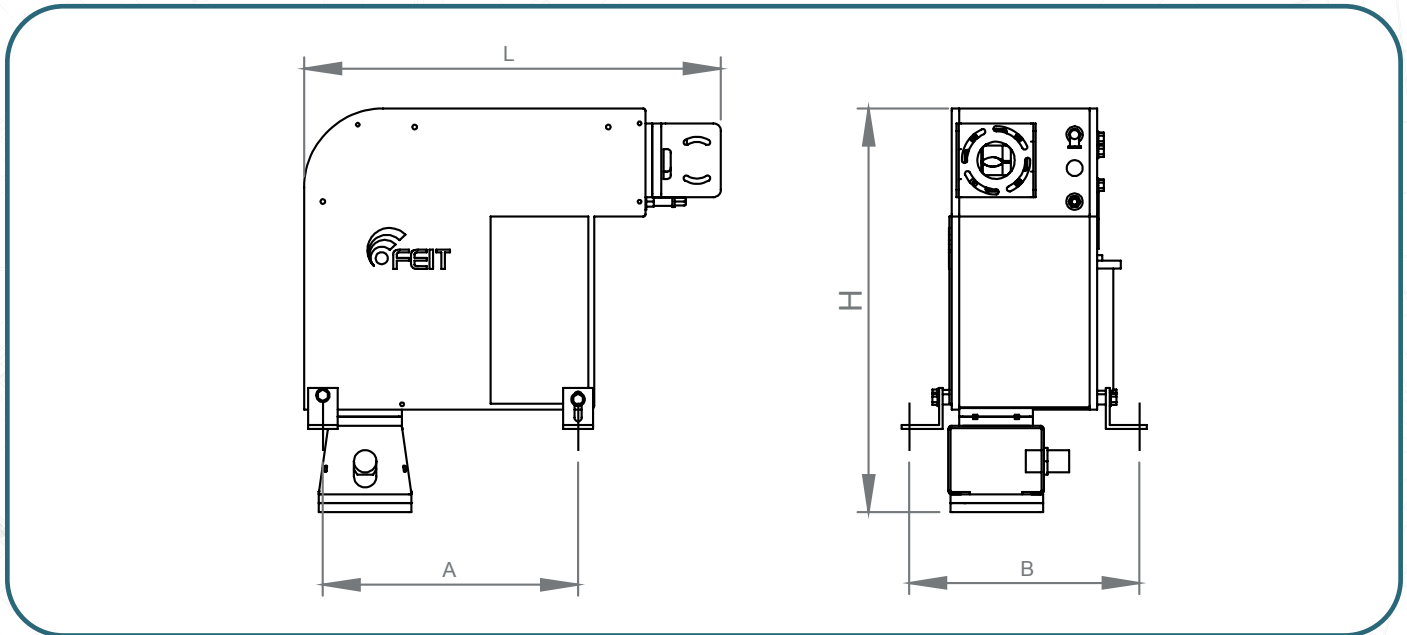
Catalogo Generale



Feit Pompe S.r.l.
Via Venezia, 34/g - 10088 - Volpiano (TO) - ITALIA
Tel: +39 (0)11 9884327 - info@feit.srl - feit.srl

**FEIT**
1946
Evolving with you...

	Kw	Volt	Max Amp	Ø Max cabl
FRD 63	0,25	24	63A	25 mm
FRD 150	0,37	24	160A	38 mm
FRD 200	0,55	24	300A	48 mm



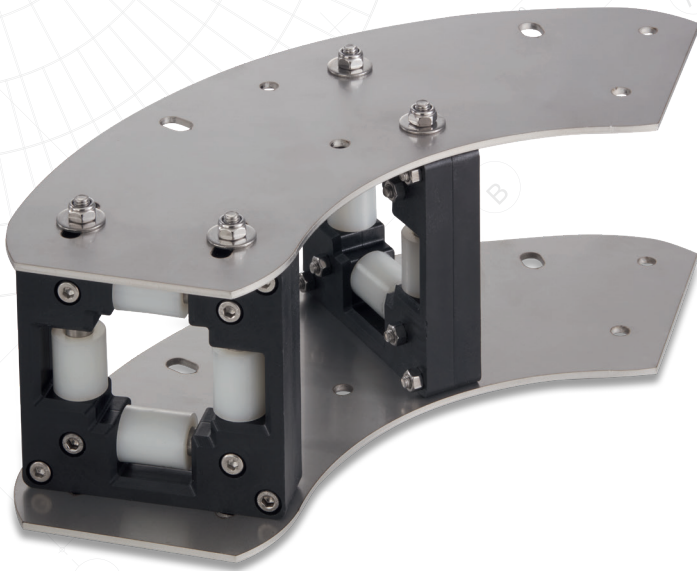
	A	L	H	B	C	M	G	D	E	F	Kg
FRD 63	193	400	500	269	333	494,65	193	110	140	112	19
FRD 150	342	559,3	542	309	442	650	307	136	180	150	28
FRD 200	415	610	750	350	-	-	-	-	-	-	28



6 HOLE PLATE



4 HOLE PLATE



CURVE AT 90°

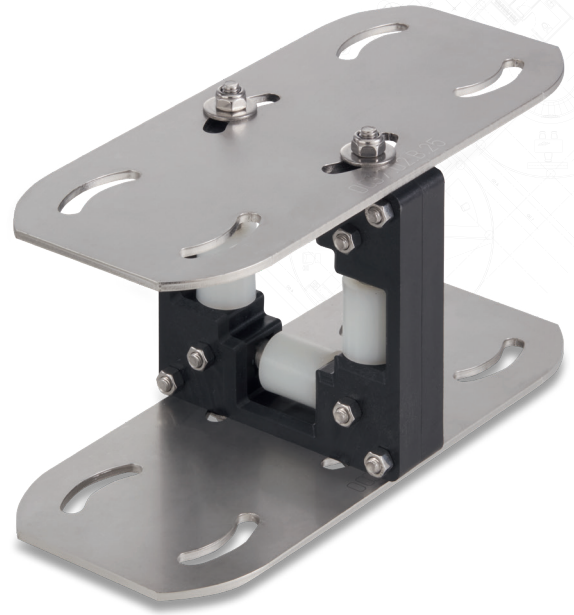
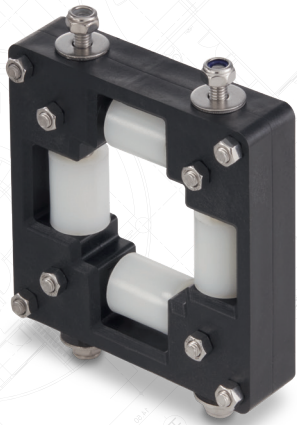
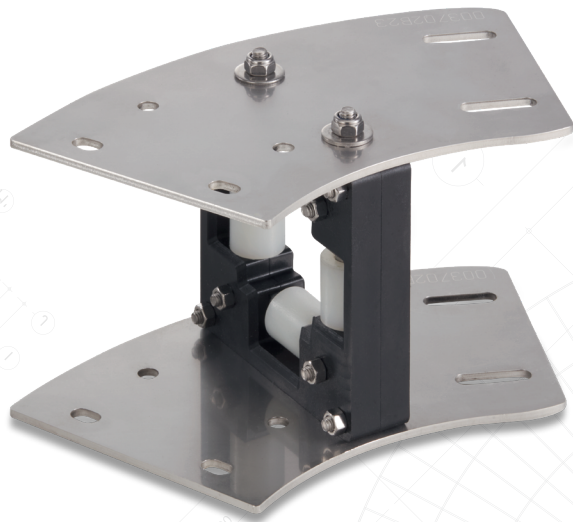


PLATE WITH ROLLER



ROLLER

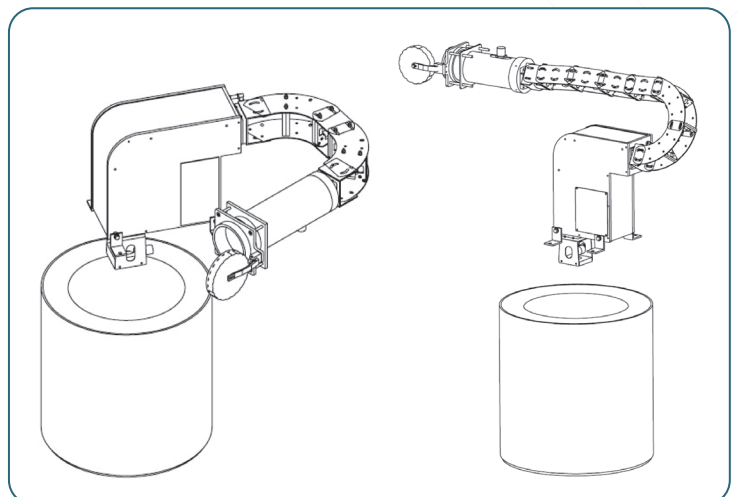


CURVE AT 45°



CABLE GUIDE SPRING

INSTALLATION EXAMPLE



FFG70RQ GUBI UVR 0,6/1 KV CUFF/HEPR/PVC/PUR

Code: BQBBQ3Y002266

APPLICATIONS

Power and control cable. Reduced emission of toxic/corrosive gases and opaque fumes in case of fire. Suitable for use in civil/industrial environment, in fixed lay also directly buried in ground but protected by conduits or ducts.

CABLE COSTRUCTION

1. Central filler (if necessary)
2. Extra-flexible stranded bare annealed copper conductor
3. HEPR insulation - G7 type
4. Lay-up of cores + Overall viledon tape
5. PVC inner covering
6. Textile synthetic braid
7. Polyurethane outer sheath - UV resistant



MARKING

F.E.I.T. POMPE S.r.l. (MADE IN ITALY) SN/YY Type
Voltage No. cores x size – CE

CABLE CHARACTERISTICS	REFERENCE STANDARDS
Construction	IEC 60502-1 a.f.a.a. - Power cables with extruded insulation and their accessories - Part 1: Cables for rated voltages of 1 kV and 3 kV.
Emission of opaque fumes and toxic/corrosive gases	IEC 60754-1 - Test on gases evolved during combustion - Part 1: Determination of the halogen acid gas content.
Construction	CEI EN 60228 - Conductor of insulated cables.
EU directives	Directive RoHS 2011/65/EU - Restriction of hazardous substances
Fire behaviour	Directive 2014/35/EU - Low voltage

This document is F.E.I.T. POMPE S.r.l. property, and can't be used by others for any purpose, without prior written consent

REMARKS

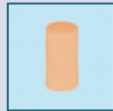
- Available also with tinned copper conductors
- Marking layout customizable according to client specification.

- Formations and colours reported in the pictures are purely showing.
- Product specifications may change at any time without notice from the Company

	Copper weight (approx.)	Cable weight (approx.)	Average sheath thickness	Overall diameter	Max DC res. at 20 °C	Current rating (A)	
	(kg/m)	(kg/m)	(mm)	(mm+/- 5%)	(Ω/km)	in air 30°C	in air 60°C
FFG70RQ GUBI UVR 0,6/1 KV 3X95+1G50	2,723	4,352	5,0	46,6	0,206 / 0,386	298	212
FFG70RQ GUBI UVR 0,6/1 KV 4G35	1,132	1,850	4,55	35,0	0,554	158	112
FFG70RQ GUBI UVR 0,6/1 KV 3G10	0,247	0,654	4,55	23,6	1,91	75	63
FFG70RQ GUBI UVR 0,6/1 KV 3G16	0,395	0,856	4,55	26,0	1,21	100	83
FFG70RQ GUBI UVR 0,6/1 KV 4G10	0,329	0,785	4,55	25,1	1,91	75	63
FFG70RQ GUBI UVR 0,6/1 KV 5G10	0,411	0,925	4,55	26,7	1,91	75	63

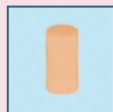
**FFG70RQ GUBI UVR 0,6/1 KV
CUFF/HEPR/PVC/PUR**

Code: BQBBQ3Y002266



CENTRAL FILLER

Central filler (if necessary)



CONDUCTOR

Bare annealed copper CU-ETP (DIN 5787 - Cu > 99,9%, O2 < 0,04%) - extraflexible stranded acc. to CEI EN 60228 cl. 6



INSULATION

Thermoplastic rubber HEPR G7 type acc. to CEI EN 50363-0 and IEC 60502-1, 3GI3 type acc. to VDE 0207/20 - breaking load > 8,5 N/mm2 - breaking elongation > 200%



COLOUR OF CORES

CEI UNEL 00722 HD 308 S2 ----> 1X: black - 2X: blue+ brown - 3G: blue brown Y/G - 4G: brown black grey Y/G - 5G: blue brown black grey Y/G - 6 cores and more: black numbered Y/G



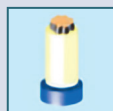
CABLE ASSEMBLY

Acc. to IEC 60502-1 a.f.a.a.- reduced emission of toxic corrosive gases and opaque fumes acc. to IEC 60754-1



WRAPPING

Not woven overall sliding tape



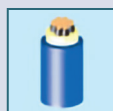
INNER COVERING

PVC



CARRYING ELEMENT

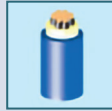
Textile synthetic braid



OUTER SHEATH

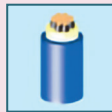
Poliurethane - breaking load > 25 N/mm2 - elongation at break > 500%

FFG70RQ GUBI UVR 0,6/1 KV
CUFF/HEPR/PVC/PUR
Code: BQBBQ3Y002266



OUTER SHEATH COLOUR

White



OUTER SHEATH CHARACTERISTICS

UV resistant



RATED VOLTAGE

0,6/1 KV



TEST VOLTAGE

3500 V AC or 8400 V DC for 5 minutes acc. to IEC 60502-1



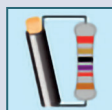
WORKING TEMPERATURE

-40 / +90°C fixed installation / -5 / 80 °C flexing use



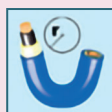
MAX SHORT CIRCUIT TEMPERATURE

250 °C



INSULATION RESISTANCE

> 100 MOhm x km



MINIMUM BENDING RADIUS

6 times the overall cable diameter

Sito Web



Catalogo Generale



Feit Pompe S.r.l.

Via Venezia, 34/g - 10088 - Volpiano (TO) - ITALIA

Tel: +39 (0)11 9884327 - info@feit.srl - feit.srl