



# SELF PRIMING CENTRIFUGAL ELECTRIC PUMPS

Series  
**CCM**



A 60B

Sito Web



Catalogo Generale



**Feit Pompe S.r.l.**

Via Venezia, 34/g - 10088 - Volpiano (TO) - ITALIA  
Tel: +39 (0)11 9884327 - info@feit.srl - feit.srl



# SELF PRIMING CENTRIFUGAL ELECTRIC PUMPS

Series  
**CCM**

## DC EXECUTION

	Kw	mc/h l/min	0,12	0,4	0,6	1	1,5	1,89	2,4	3	3,5	4	4,8	5,5	6,5	9,5	10,8	15	
			2	6,3	10	16	25	31,5	40	50	59	70	80	91,6	108	158	180	250	
<b>A 60 B</b>	0,25	H(m)	22	17	13	6	2												
<b>A 80 B</b>	0,37			35	33	29	22	16	10										
<b>A 90 B</b>	0,55			53	51	44	34	26,5	17,5	10									
<b>A 990B-A 992I</b>	0,37			35	28	24,5	18	13	10	8	6	4							
<b>A 990BR-A 992IR</b>	0,45				45	42	35,8	30,5	27	24	20	18	16						
<b>A 993 B-I</b>	0,75					42	38,5	34,2	31,5	28,5	24,8	22,4	20						
<b>A 994 B-I</b>	0,75			48	43,5	41	36,4	32	29	25	20								
<b>A 995 B-I</b>	1,1			51	48,2	46,4	44	41,7	40	38	36	34	32	29,5	27	23			
<b>A 996 B-I</b>	1,5					54	51	48	46	43,8	41	39,2	37	34,4	31,8	29,5	25		

## CHARACTERISTICS

- **Pump casing:** bronze\*
- **Impeller:** bronze\*
- **Diffuser:** bronze
- **Shaft:** AISI 316 stainless steel

- **Seal:** mechanical
  - **Motor:** 24 V D.C. 230 V A.C. 1 PH, 230/400 V A.C.3PH
- \* INOX A992I, 992IR, 993I, 994I, 995I, 996I

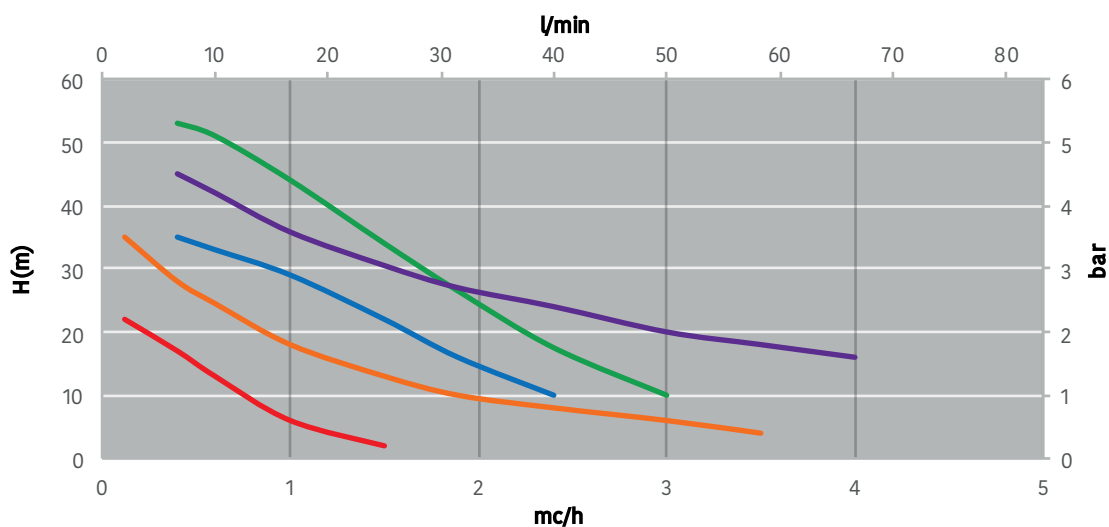
## APPLICATIONS

- extracting sea water, bilge
- transferring fuels in general
- Water supply for trailers

- transferring soft water and sea water
- chain washing

# SELF PRIMING CENTRIFUGAL ELECTRIC PUMPS

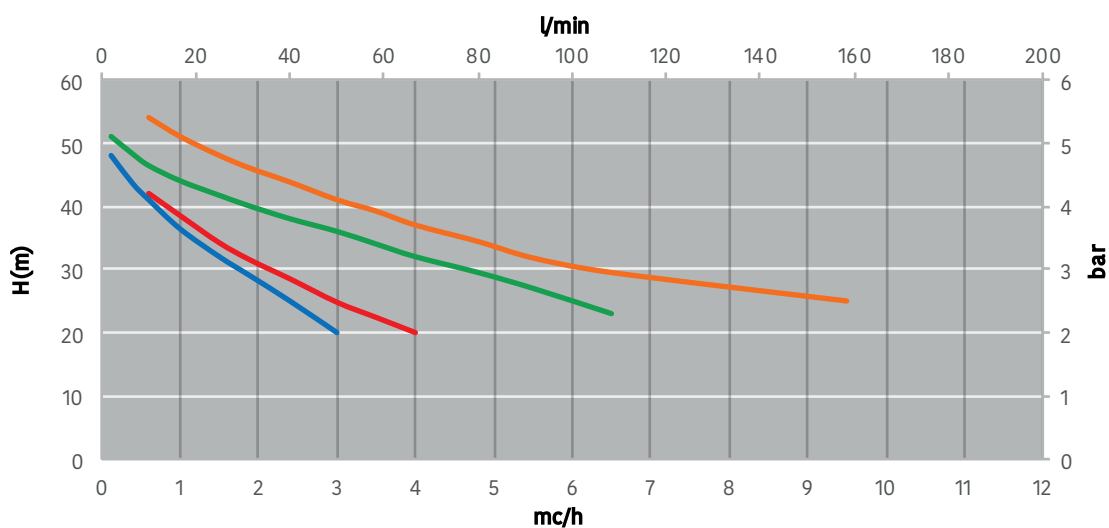
Series  
**CCM**



	VOLT	RPM
A 60B	24V	2900
A 990B A 992I	24V	2900

	VOLT	RPM
A 80B	24V	2900
A 990BR A 992IR	24V	2900

	VOLT	RPM
A 90B	24V	2900



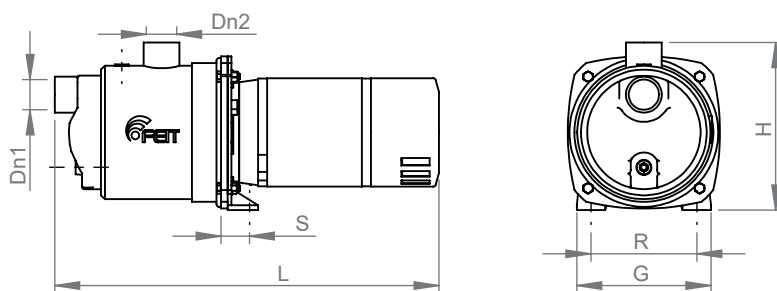
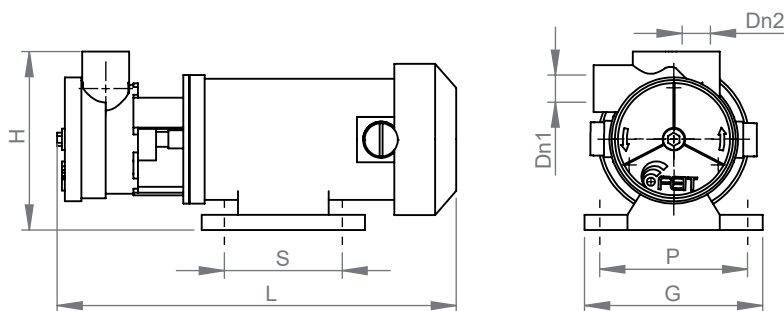
	VOLT	RPM
A 993B-I	24V	2900
A 996B-I	24V	2900

	VOLT	RPM
A 994B-I	24V	2900

	VOLT	RPM
A 995B-I	24V	2900

# SELF PRIMING CENTRIFUGAL ELECTRIC PUMPS

Series  
**CCM**



	Dn1	Dn2	L	h	G	R	S	Kg
<b>A 60B</b>	1/2" g	1/2" g	260	130	110	100	80	4,5
<b>A 80B</b>	3/4" g	3/4" g	280	160	125	114	90	9
<b>A 90B</b>	1" g	1" g	330	180	135	114	90	11
<b>A 990B</b>	1" g	1" g	421	181	180	100	30	13
<b>A 990BR</b>	1" g	1" g	440	181	180	100	30	14
<b>A 992I</b>	1" g	1" g	421	181	146	112	30	9
<b>A 992IR</b>	1" g	1" g	440	181	146	112	30	11
<b>A 993I</b>	1" g	1" g	430	200	146	112	52	12
<b>A 993B</b>	1" g	1" g	430	200	185	155	52	25
<b>A 994I</b>	1" g	1" g	430	200	146	112	52	13
<b>A 994B</b>	1" g	1" g	430	200	185	155	52	25
<b>A 995I</b>	1 1/4" g	1" g	489	240	185	155	37	16
<b>A 995B</b>	1 1/2" g	1" g	450	200	187	155	52	30
<b>A 996I</b>	1 1/4" g	1" g	489	240	185	155	37	18
<b>A 996B</b>	1 1/2" g	1" g	500	210	215	175	52	33

Sito Web



Catalogo Generale



**Feit Pompe S.r.l.**

Via Venezia, 34/g - 10088 - Volpiano (TO) - ITALIA

Tel: +39 (0)11 9884327 - info@feit.srl - feit.srl

**FEIT**  
1946  
Evolving with you...

# SELF PRIMING CENTRIFUGAL ELECTRIC PUMPS

Series  
**CCM**



A 9951

Sito Web



Catalogo Generale



**Feit Pompe S.r.l.**

Via Venezia, 34/g - 10088 - Volpiano (TO) - ITALIA  
Tel: +39 (0)11 9884327 - info@feit.srl - feit.srl

**FEIT**  
1946  
Evolving with you...

# SELF PRIMING CENTRIFUGAL ELECTRIC PUMPS

Series  
**CCM**

## AC EXECUTION 50Hz

		mc/h	0,12	0,4	0,6	1	1,5	1,89	2,4	3	3,5	4	4,8	5,5	6,5	9,5	10,8	15
	Kw	l/min	2	6,3	10	16	25	31,5	40	50	59	70	80	91,6	108	158	180	250
<b>A 60B</b>	0,25		22	17	13	6	2											
<b>A 80B</b>	0,37			35	33	29	22	16	10									
<b>A 90B</b>	0,55			53	51	44	34	26,5	17,5	10								
<b>A 990BR-A 992IR</b>	0,55			45	42	35,8	30,5	27	24	20	18	16						
<b>A 993B-I</b>	0,75	H(m)			42	38,5	34,2	31,5	28,5	24,8	22,4	20						
<b>A 994B-I</b>	0,75		48	43,5	41	36,4	32	29	25	20								
<b>A 995B-I</b>	1,1		51	48,2	46,4	44	41,7	40	38	36	34	32	29,5	27	23			
<b>A 996B-I</b>	1,5				54	51	48	46	43,8	41	39,2	37	34,4	31,8	29,5	25		
<b>A 997 B</b>	2,2				59	57	55	53,7	52,4	51	50	49	47	45,3	43,2	37		

## CHARACTERISTICS

- **Pump casing:** bronze\*
- **Impeller:** bronze\*
- **Diffuser:** bronze
- **Shaft:** AISI 316 stainless steel

- **Seal:** mechanical
  - **Motor:** 24 V D.C. 230 V A.C. 1 PH, 230/400 V A.C.3PH
- \* INOX A992IR, 993I, 994I, 995I, 996I

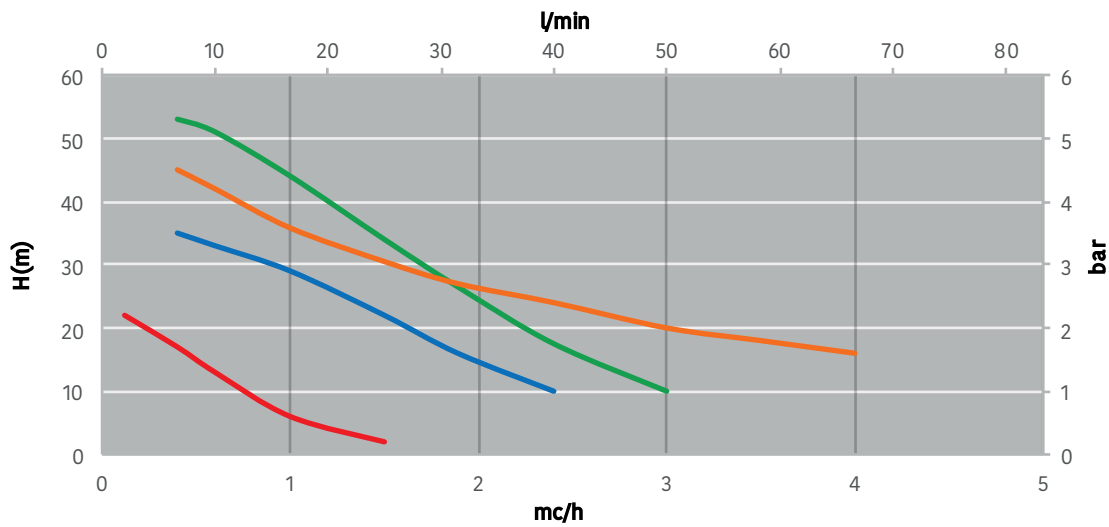
## APPLICATIONS

- prosciugamento sentine
- rifornimento carburanti
- distribuzione di acqua

- travasi di acque dolci e salate
- lavaggio catene

# SELF PRIMING CENTRIFUGAL ELECTRIC PUMPS

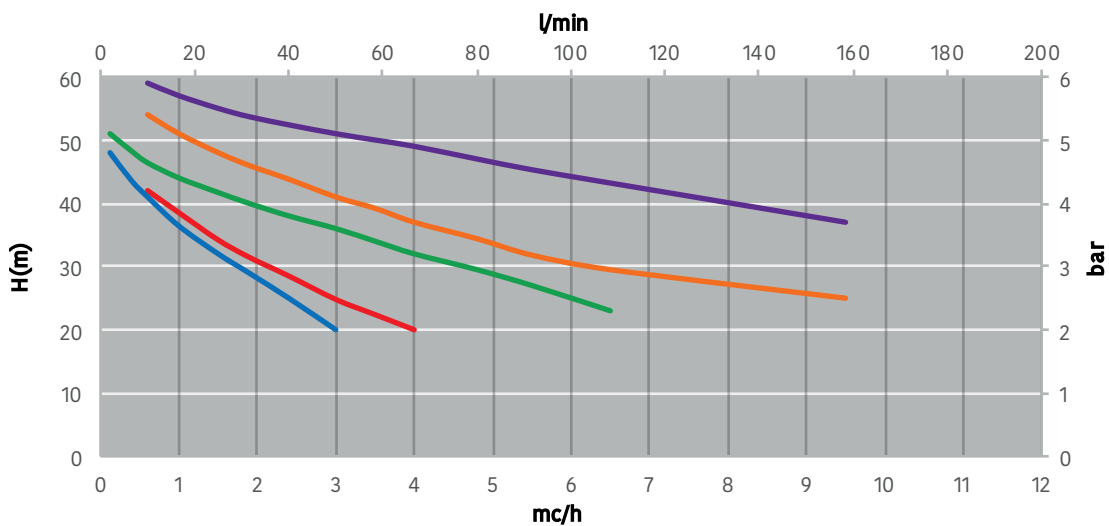
Series  
**CCM**



	VOLT	RPM
<b>A 60B</b>	230/400 230m	2900
<b>A 990BR</b> <b>A 992IR</b>	230/400 230m	2900

	VOLT	RPM
<b>A 80B</b>	230/400 230m	2900

	VOLT	RPM
<b>A 90B</b>	230/400 230m	2900



	VOLT	RPM
<b>A 993B-I</b>	230/400 230m	2900
<b>A 996B-I</b>	230/400 230m	2900

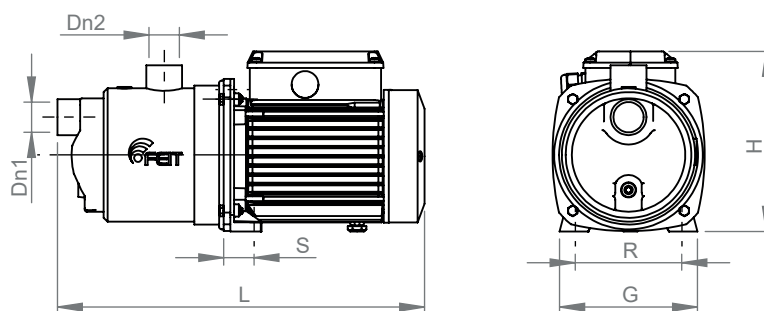
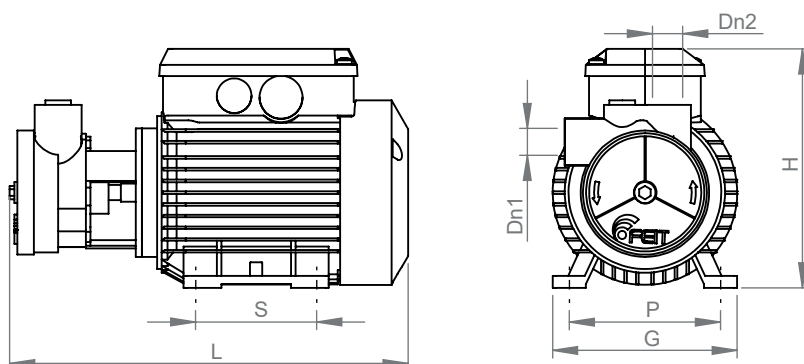
	VOLT	RPM
<b>A 994B-I</b>	230/400 230m	2900
<b>A 997B</b>	230/400 230m	2900

	VOLT	RPM
<b>A 995B-I</b>	230/400 230m	2900



# SELF PRIMING CENTRIFUGAL ELECTRIC PUMPS

Series  
**CCM**



	Dn1	Dn2	L	h	G	R	S	Kg
<b>A 60B</b>	1/2" g	1/2" g	260	130	110	98	80	6
<b>A 80B</b>	3/4" g	3/4" g	280	160	125	100	80	10
<b>A 90B</b>	1" g	1" g	320	180	135	110	90	13
<b>A 990BR</b>	1" g	1" g	440	181	180	100	30	14
<b>A 992IR</b>	1" g	1" g	440	200	146	112	30	11
<b>A 993I</b>	1" g	1" g	430	200	146	112	52	12
<b>A 993B</b>	1" g	1" g	430	200	185	155	52	25
<b>A 994I</b>	1" g	1" g	430	200	146	112	52	13
<b>A 994B</b>	1" g	1" g	430	200	185	155	52	25
<b>A 995I</b>	1" 1/4 g	1" g	489	240	185	155	37	16
<b>A 995B</b>	1" 1/2 g	1" g	450	200	187	155	52	30
<b>A 996I</b>	1" 1/4 g	1" g	489	240	185	155	37	18
<b>A 996B</b>	1" 1/2 g	1" g	500	210	215	175	52	33
<b>A 997B</b>	1" 1/2 g	1" g	500	210	215	175	52	35

Sito Web



Catalogo Generale



**Feit Pompe S.r.l.**

Via Venezia, 34/g - 10088 - Volpiano (TO) - ITALIA

Tel: +39 (0)11 9884327 - info@feit.srl - feit.srl

**FEIT**  
1946  
Evolving with you...