



AM 60B/2



AM 80B/5

CHARACTERISTICS

- **Pump casing:** bronze
- **Impeller:** bronze
- **Diffuser:** bronze
- **Shaft:** AISI 316 stainless steel
- **Mechanical seal**
- **Motor:** 12 v or 24v D.C. 230V 1ph - 230/400V 3ph
- **Tank:** 2-5-8-24 Litres (stainless steel on request)

	Kw	Amp. Max				Pressure bar	Delivery L/min	Ports
		12V	24V	230M	230/400T			
AM 60B/2	0,25	16	9	1,6	1,7-1	2,1	28	1/2"gas
AM 60B/8	0,25	16	9	1,6	1,7-1	2,1	28	1/2"gas
AM 80B/2	0,37	45	24	3,6	2,3-1,3	3,6	40	3/4"gas
AM 80B/5	0,37	45	24	3,6	2,3-1,3	3,6	40	3/4"gas
AM 90B/5	0,75*	-	32	4,5	3	4,5	50	1"gas

* Kw 0,55 for AC motor

Sito Web



Catalogo Generale

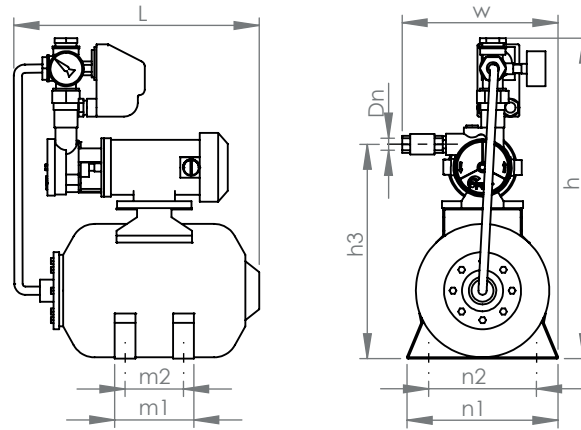
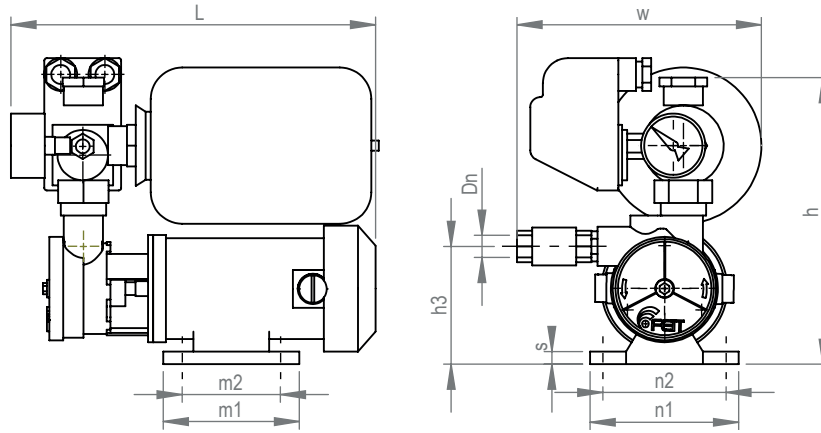


Feit Pompe S.r.l.

Via Venezia, 34/g - 10088 - Volpiano (TO) - ITALIA

Tel: +39 (0)11 9884327 - info@feit.srl - feit.srl

FEIT
1946
Evolving with you...



	Tank	h	L	W	h3	Dn	m1	m2	s	g	n1	n2	Kg
AM 60B/2	2lt	250	290	220	100	1/2"G	95	65	6.5	10	114	88	8
AM 60B/8	8lt	495	350	230	335	1/2"G	200	174	10	-	200	170	8
AM 80B/2	2lt	330	320	220	135	3/4"G	95	80	8	10	134	110	14
AM 80B/5	5lt	360	390	240	135	3/4"G	95	80	8	10	134	110	14
AM 90B/5	5lt	370	400	245	145	1"G	95	80	8	10	134	110	15

Sito Web



Catalogo Generale



Feit Pompe S.r.l.
Via Venezia, 34/g - 10088 - Volpiano (TO) - ITALIA
Tel: +39 (0)11 9884327 - info@feit.srl - feit.srl

FEIT
1946
Evolving with you...